



Illustrated Parts List

Model Series

350700

TYPE NUMBERS
0034 through 1171.

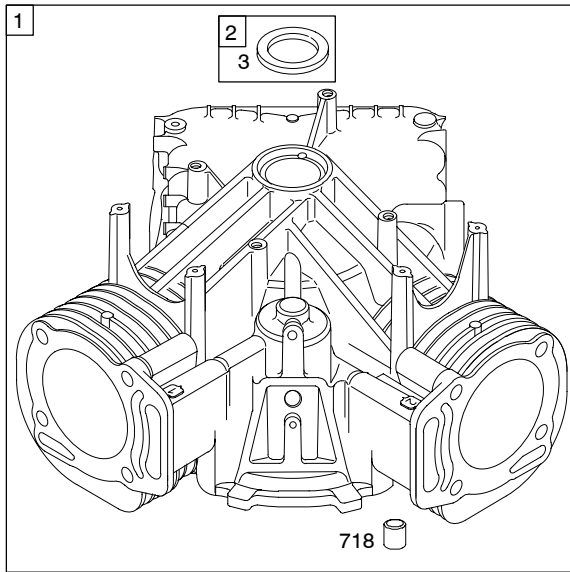
TABLE OF CONTENTS

Air Cleaner	9
Alternator	8
Blower Housing	13
Camshaft	4
Carburetor	5 & 6
Controls	8
Crankshaft	4
Cylinder	2
Cylinder Head	7
Electric Starter	15
Engine Sump	2
Exhaust System	10
Flywheel	12
Gasket Set - Engine	3
Gasket Set - Valve	3
Governor Spring	8
Ignition	8
Intake Manifold	4
Kit - Carburetor Overhaul	3
Lubrication	16
Piston, Rings, Connecting Rod	2
Rewind Starter	11
Shrouds	14
Valves	7

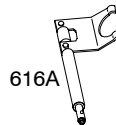
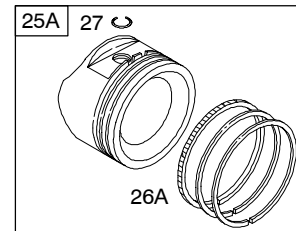
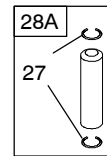
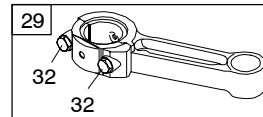
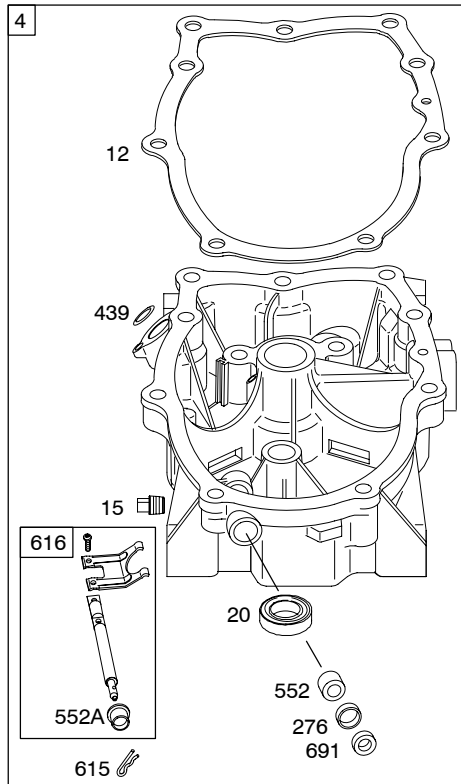
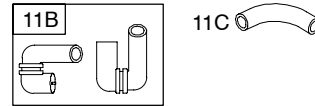
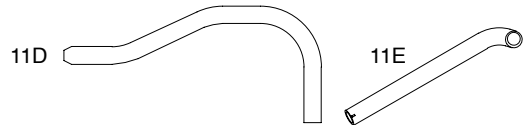
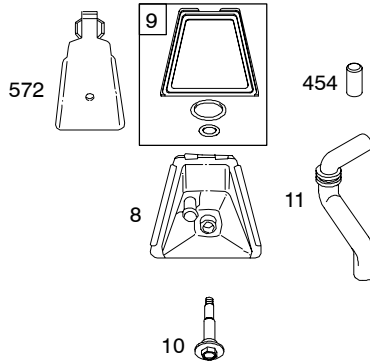
PRINTED IN U.S.A.



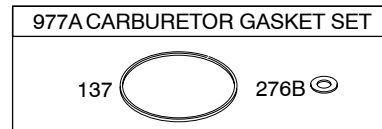
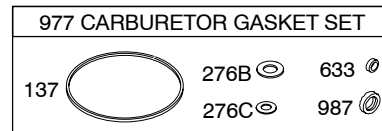
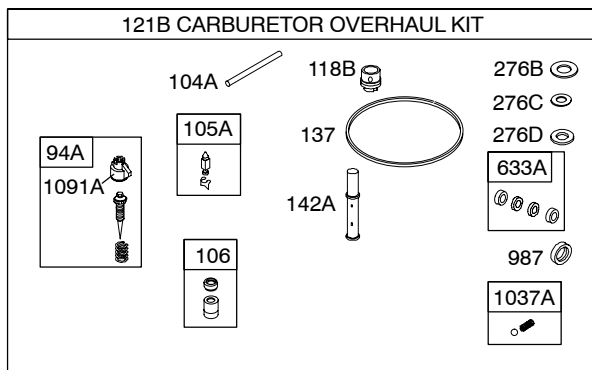
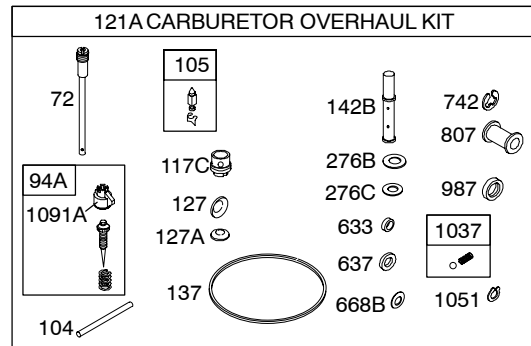
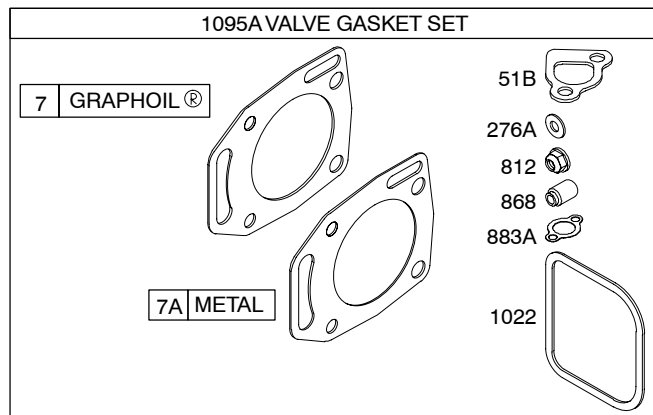
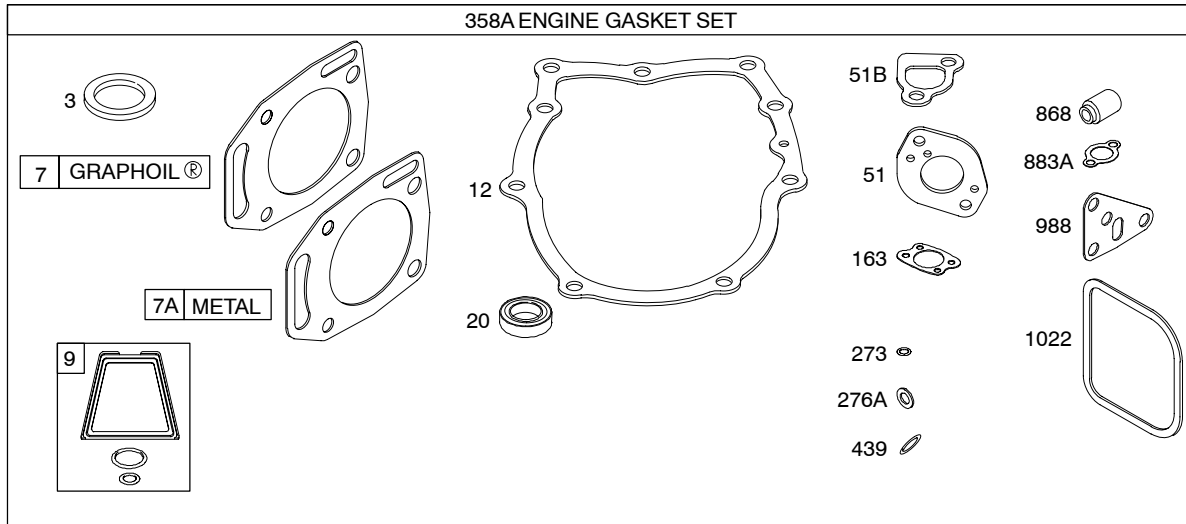
COPYRIGHT by BRIGGS & STRATTON CORPORATION
All rights reserved. No part of this material may be reproduced or transmitted,
in any form or by any means, electronic or mechanical, including photocopying,
recording or by any information storage and retrieval system, without permission
in writing from Briggs & Stratton Corporation.



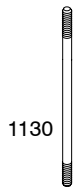
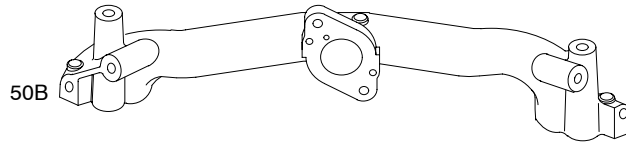
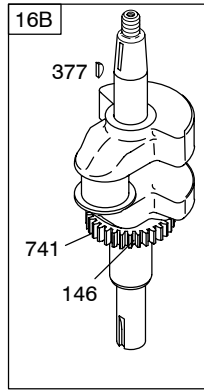
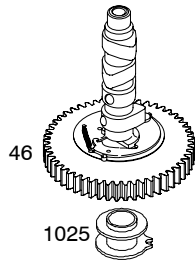
1019 LABEL KIT
 1330 REPAIR MANUAL
 1058 OPERATOR'S MANUAL



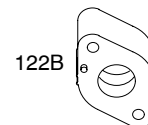
Illustrations cover a range of engines. Parts shown without corresponding text may not be used on your specific engine.
 2264-2 Assemblies include all parts shown in frames.

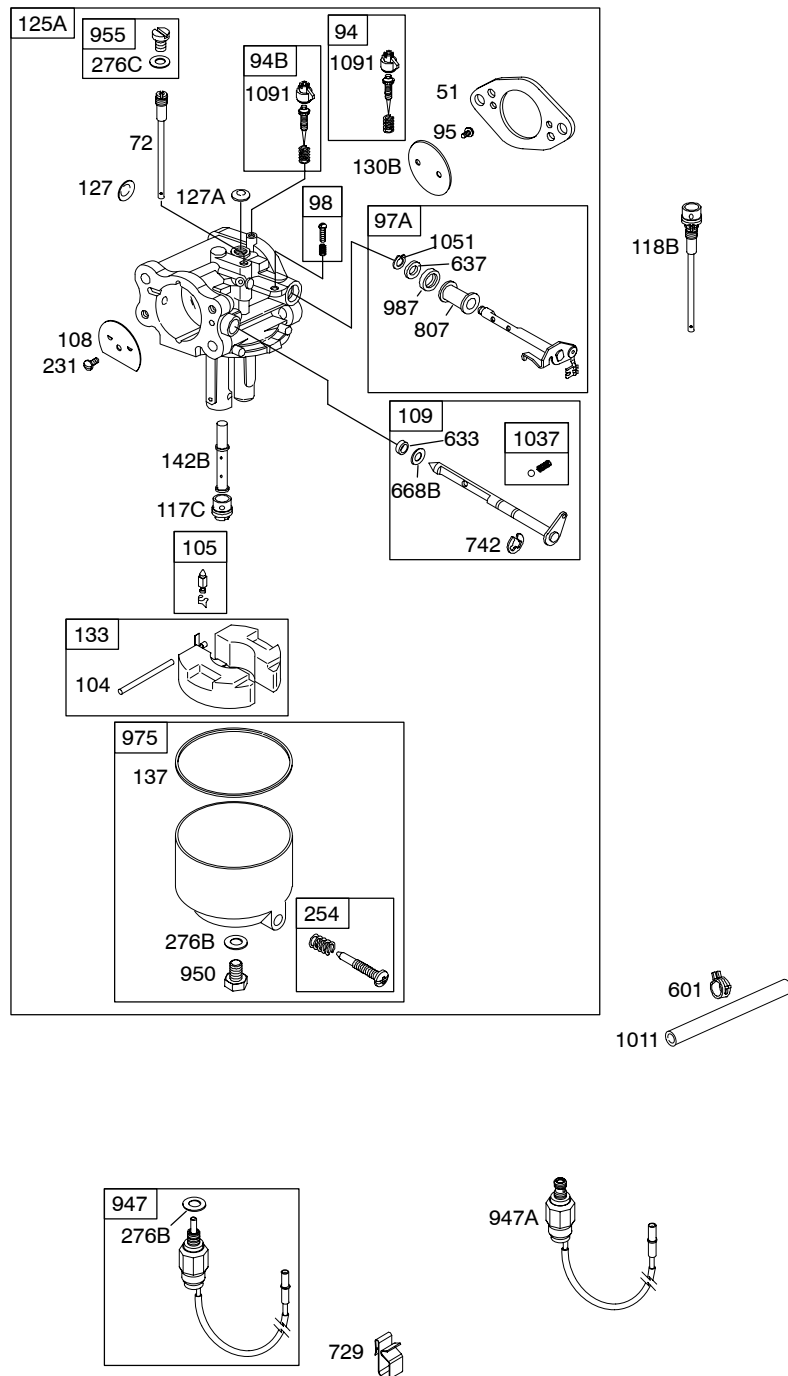


Illustrations cover a range of engines. Parts shown without corresponding text may not be used on your specific engine.

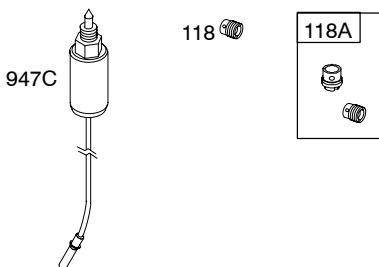
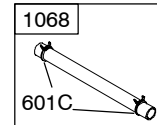
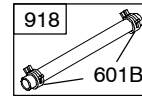
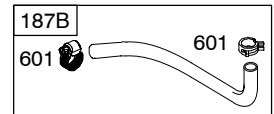
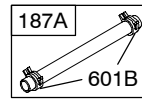
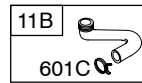
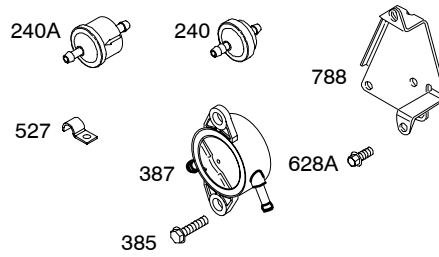
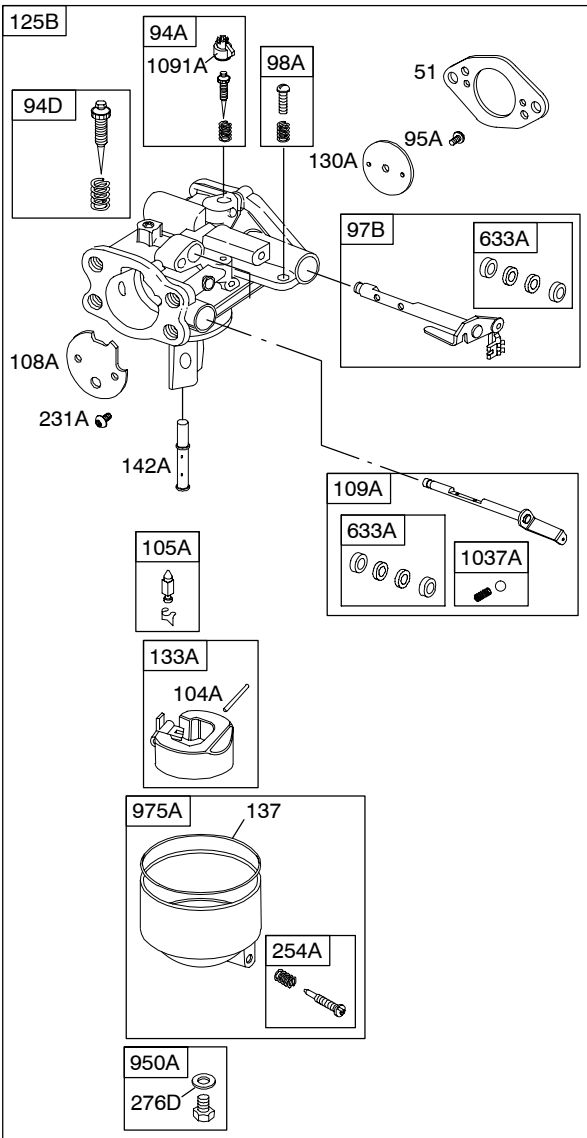


654

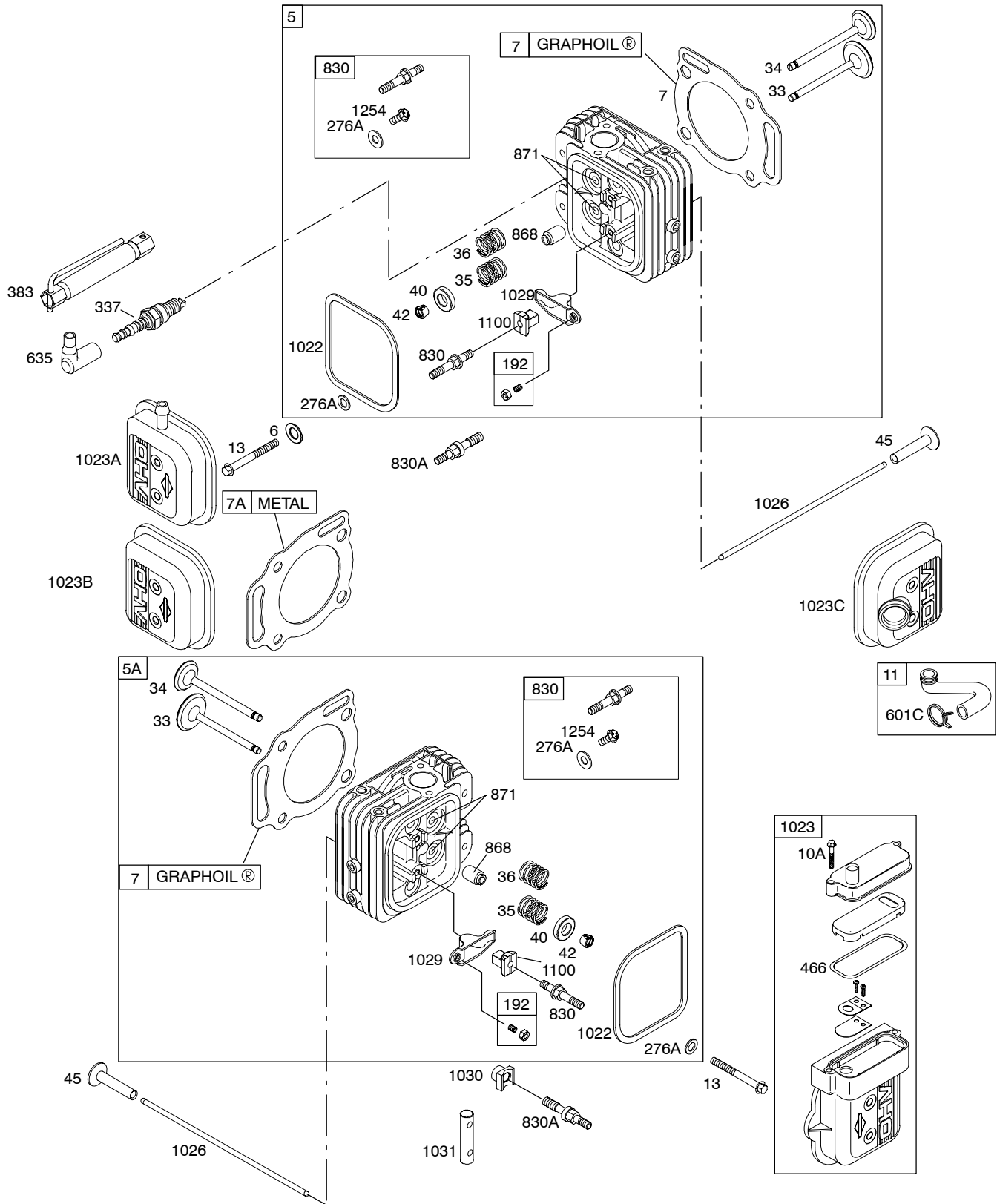




Illustrations cover a range of engines. Parts shown without corresponding text may not be used on your specific engine.
 2264-5 Assemblies include all parts shown in frames. 06/26/2006

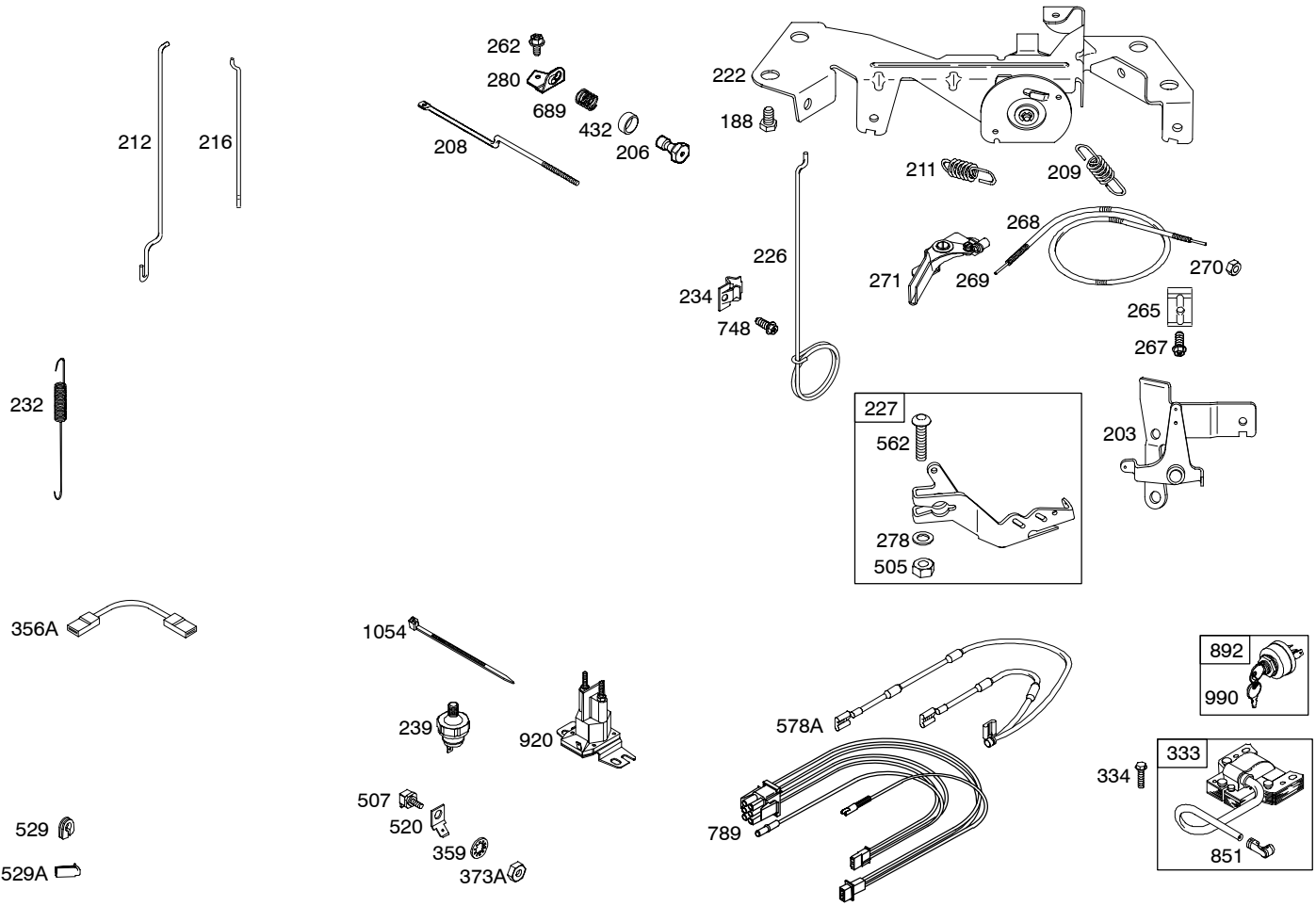


Illustrations cover a range of engines. Parts shown without corresponding text may not be used on your specific engine.

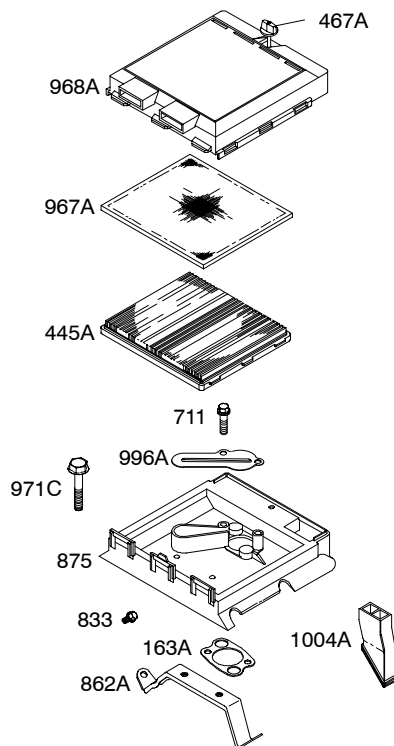
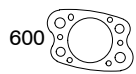
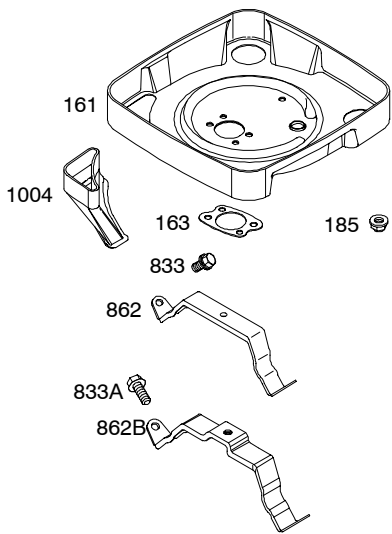
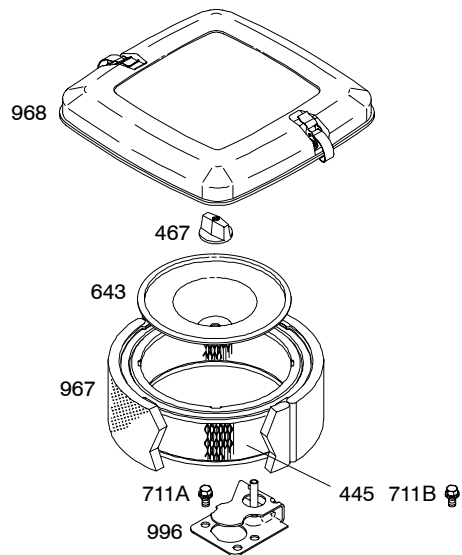


Illustrations cover a range of engines. Parts shown without corresponding text may not be used on your specific engine.
 2264-7 Assemblies include all parts shown in frames.

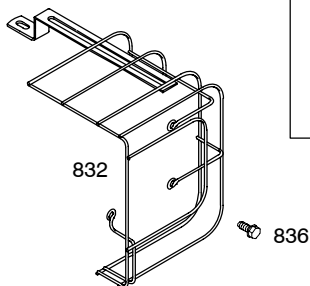
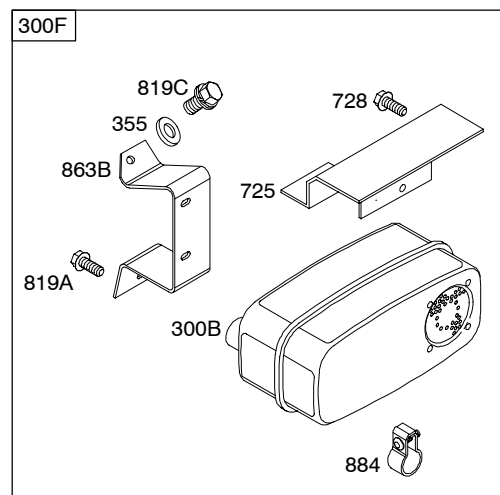
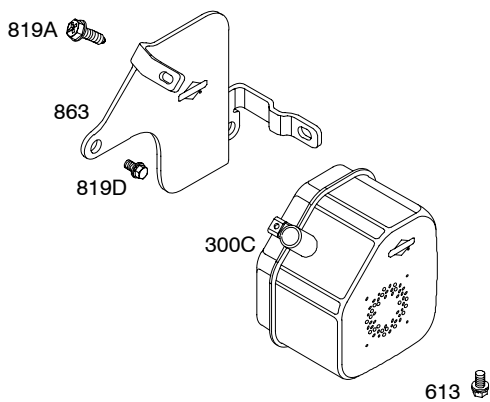
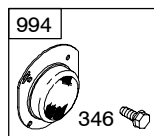
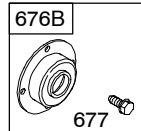
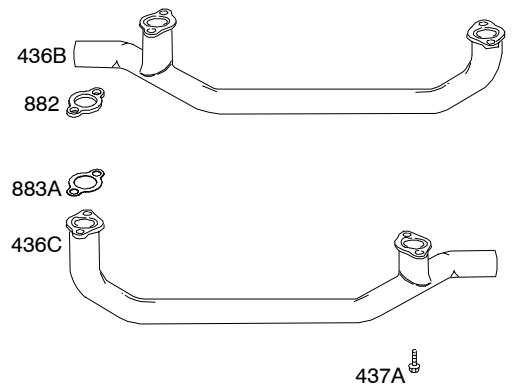
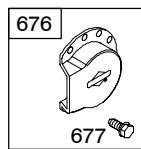
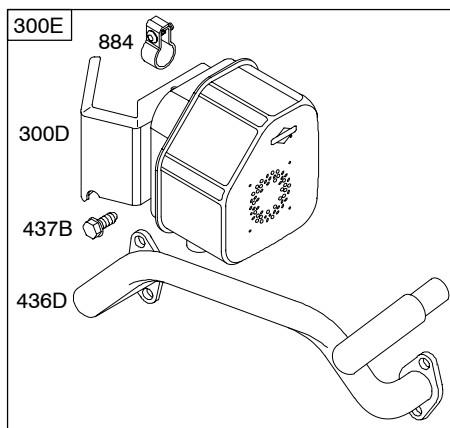
350700



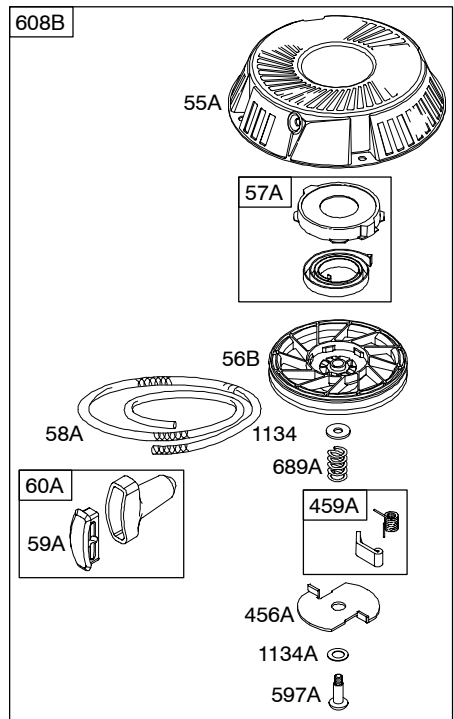
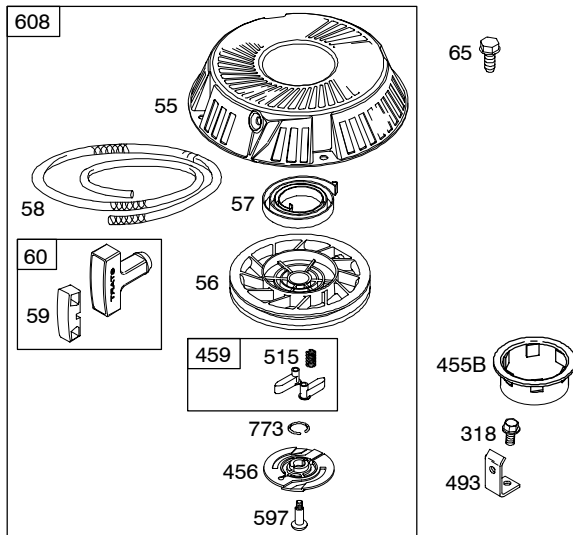
DC ONLY	TRI CIRCUIT	5 - 9 AMP	10 - 16 AMP
474A	474C	474C	474D
877A	877B	877B	877C
578	878A	578	578
<p>NOTE: All stators use a No. 1119 mounting screw. </p>		526A	526
		501A	501



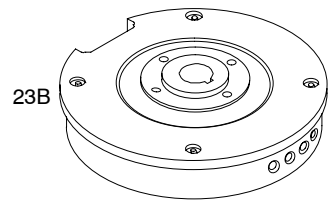
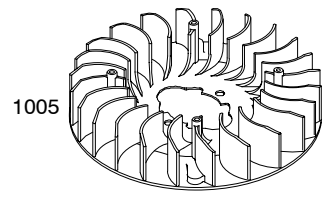
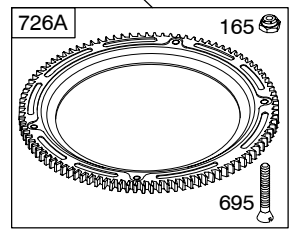
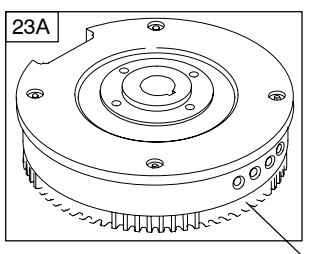
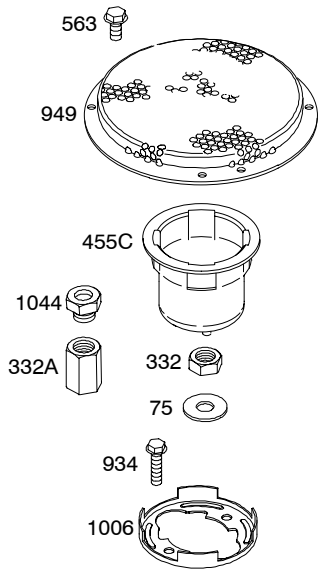
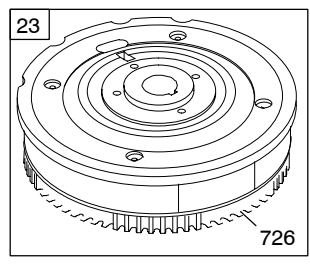
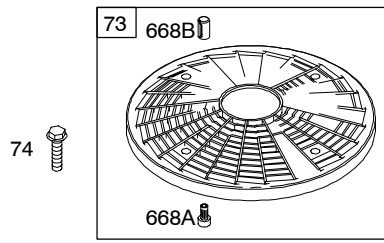
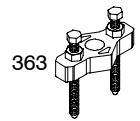
Illustrations cover a range of engines. Parts shown without corresponding text may not be used on your specific engine.
 2264-9 Assemblies include all parts shown in frames.

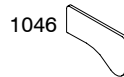
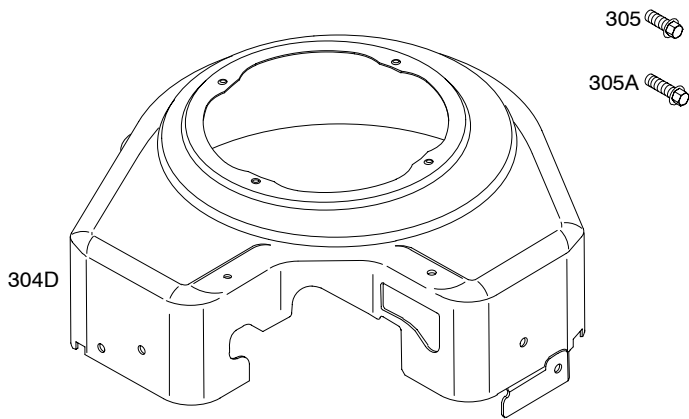
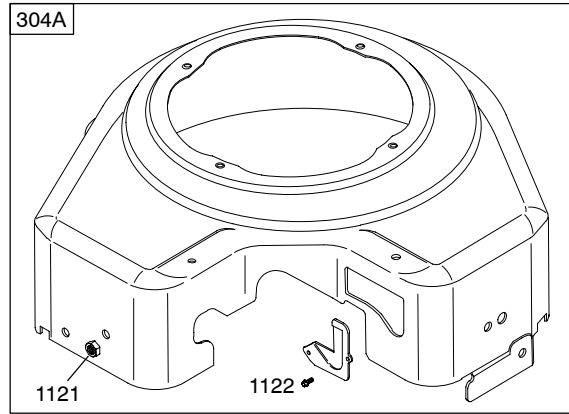


Illustrations cover a range of engines. Parts shown without corresponding text may not be used on your specific engine.

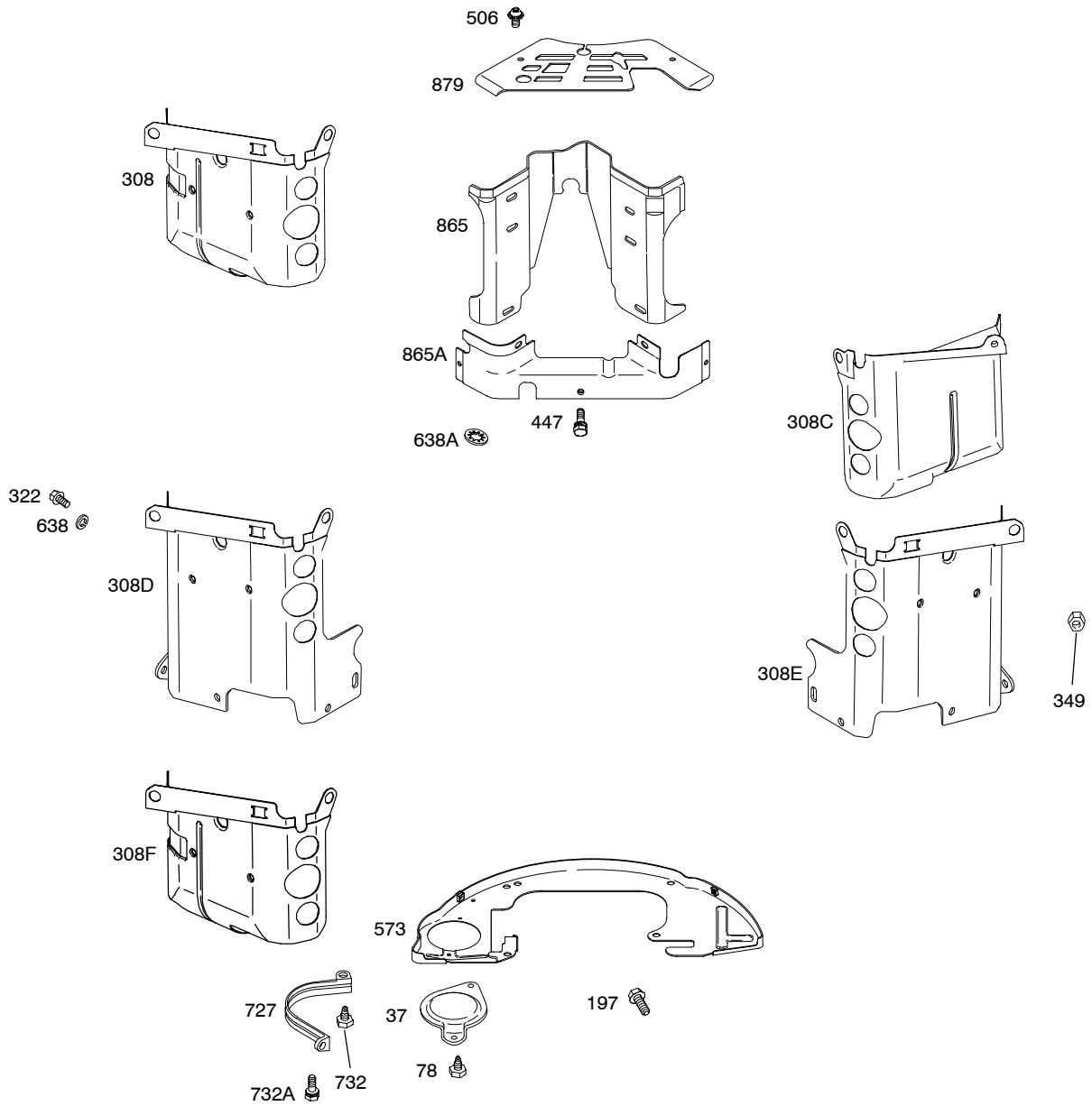


Illustrations cover a range of engines. Parts shown without corresponding text may not be used on your specific engine.
 2264-11 Assemblies include all parts shown in frames. 06/26/2006



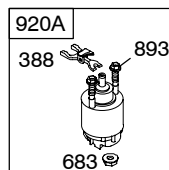
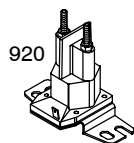
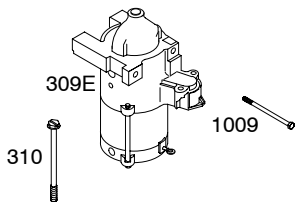
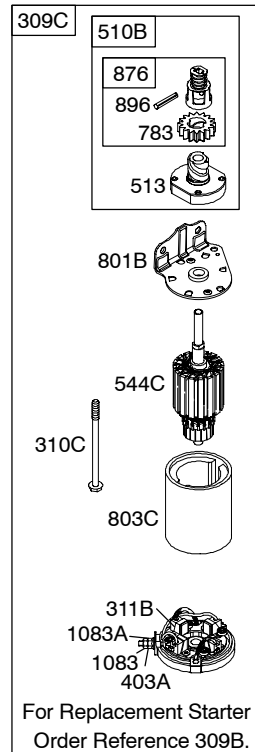
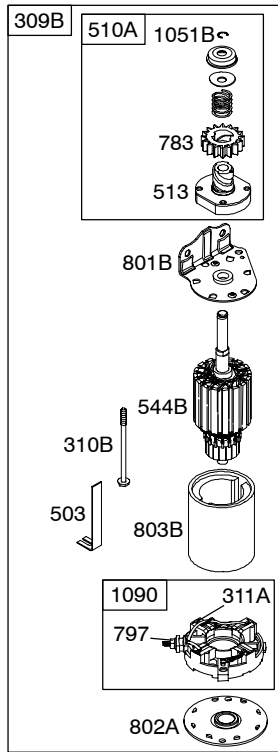
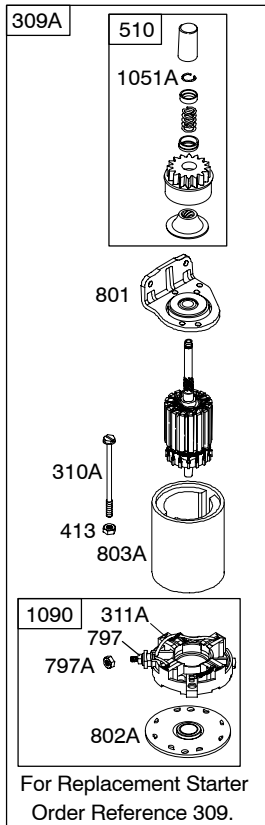
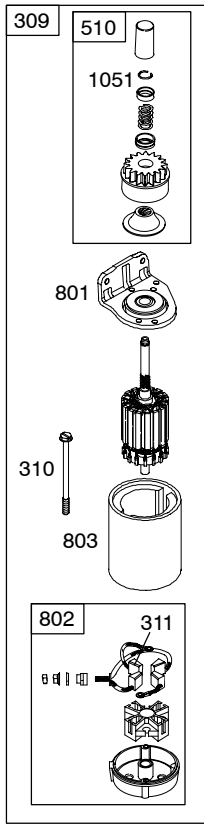


1036 EMISSIONS LABEL

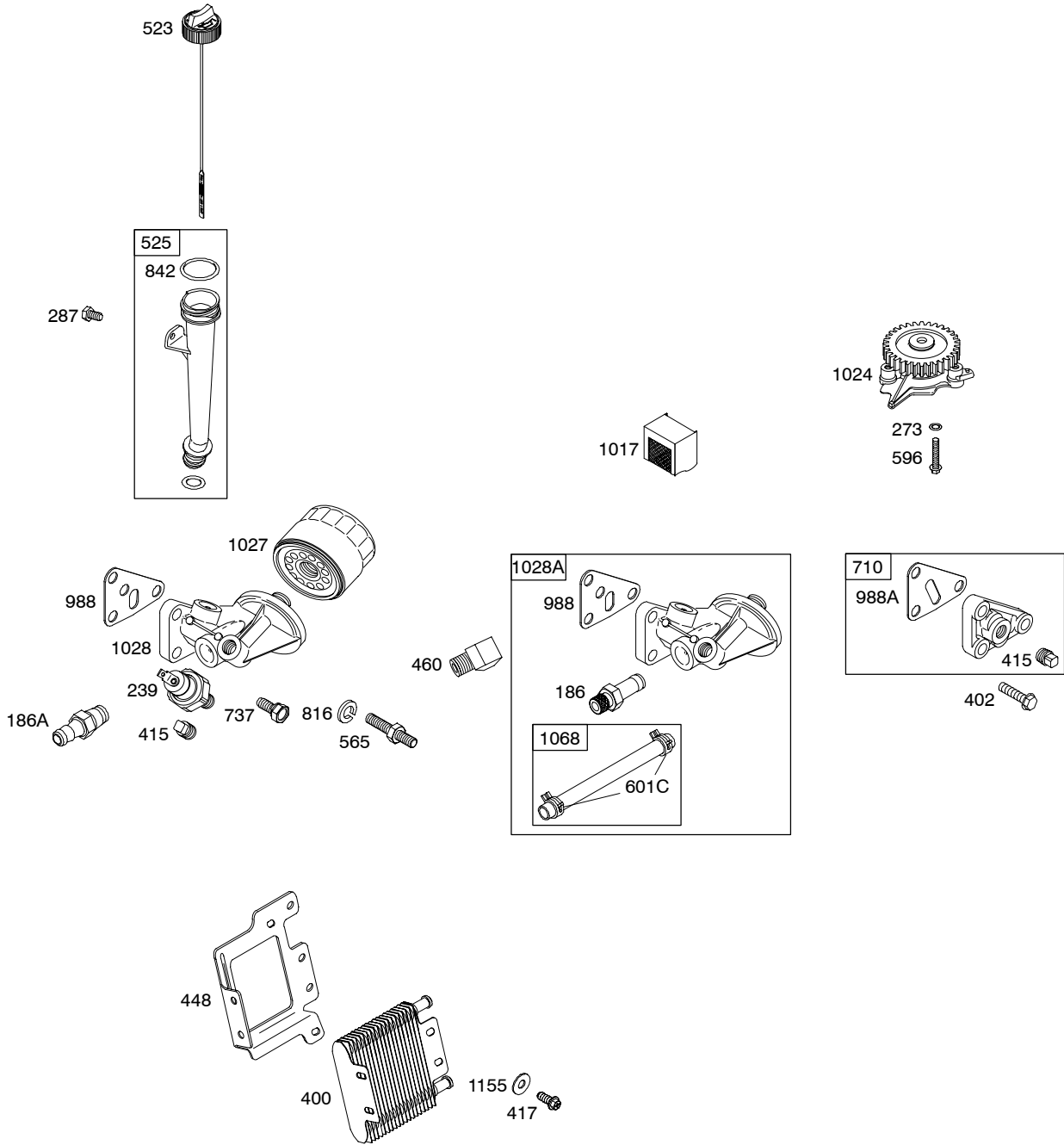


Illustrations cover a range of engines. Parts shown without corresponding text may not be used on your specific engine.

697 



Illustrations cover a range of engines. Parts shown without corresponding text may not be used on your specific engine.



Illustrations cover a range of engines. Parts shown without corresponding text may not be used on your specific engine.

REF. NO.	PART NO.	DESCRIPTION	REF. NO.	PART NO.	DESCRIPTION	REF. NO.	PART NO.	DESCRIPTION
1	692545	Cylinder Assembly (Used After Code Date 97043000). ----- Note ----- 807787 Cylinder Assembly (Used Before Code Date 97050100). 693035 Cylinder Assembly Used on Type No(s). 1137, 1154.	11	806083S	Tube-Breather	23	808768	Flywheel (Steel Ring Gear) ----- Note ----- 808776 Flywheel (Steel Ring Gear) Used on Type No(s). 1147, 1149, 1155, 1157, 1158, 1163, 1164, 1167, 1168, 1169, 1171.
2	808534	Kit-Bushing/Seal (Magneto Side) (Used After Code Date 97043000). ----- Note ----- 807687 Kit-Bushing/Seal (Magneto Side) (Used Before Code Date 97050100).	11B	841017	Tube-Breather Used on Type No(s). 1163, 1168. ----- Note ----- 841020 Tube-Breather Used on Type No(s). 1169.	23A	690921	Flywheel (Aluminum Ring Gear)
3	★805101S	Seal-Oil (Magneto Side)	11C	841018	Tube-Breather Used on Type No(s). 1163, 1168. ----- Note ----- 808686 Tube-Breather Used on Type No(s). 1169.	23B	690922	Flywheel (Rewind Start) Used on Type No(s). 0045, 0102, 1045, 1102.
4	808846	Sump-Engine	11D	841019	Tube-Breather Used on Type No(s). 1163, 1168.	25A	808326	Piston Assembly (Standard) ----- Note ----- 808336 Piston Assembly (.010" Oversize)
5	809185	Head-Cylinder (Cylinder 1)	11E	841021	Tube-Breather Used on Type No(s). 1169.			808337 Piston Assembly (.020" Oversize)
5A	809186	Head-Cylinder (Cylinder 2)	12	★842589	Gasket-Crankcase	26A	807889	Ring Set (Standard) ----- Note ----- 807995 Ring Set (.020" Oversize)
6	Δ805193	Washer (Cylinder Head) (Used Before Code Date 94050100).	13	692059	Screw (Cylinder Head) (86mm Long)	27	690683	Lock-Piston Pin
7	★Δ690888	Gasket-Cylinder Head (Graphoil) (Used After Code Date 96033100).	15	690946	Plug-Oil Drain (Square Head)	28A	807886	Pin-Piston
7A	★Δ805653S	Gasket-Cylinder Head (Metal) (Used Before Code Date 96040100).	15A	691680	Plug-Oil Drain (Square Socket)	29	807900S	Rod-Connecting (Standard) ----- Note ----- 807803 Rod-Connecting (.020" Undersize)
8	807893	Breather Assembly	16B	809807	Crankshaft (Used After Code Date 97043000). ----- Note ----- 807779 Crankshaft (Used Before Code Date 97050100). 809815 Crankshaft Used on Type No(s). 0119.			
9	★809094	Gasket-Breather	20	★805049S	Seal-Oil (PTO Side)			
10	690751	Screw (Breather Assembly)	22	807362	Screw (Crankcase Cover/Sump)			
10A	806421	Screw (Breather Assembly)						

★ Included in Engine Gasket Set-Ref. No. 358A.

● Included in Carburetor Overhaul Kit-Ref. No. 121A or 121B.

◆ Included in Carburetor Gasket Set-Ref. No. 977 or 977A.

Δ Included in Valve Gasket Set-Ref. No. 1095A.

Illustrations cover a range of engines. Parts shown without corresponding text may not be used on your specific engine.

350700

REF. NO.	PART NO.	DESCRIPTION	REF. NO.	PART NO.	DESCRIPTION	REF. NO.	PART NO.	DESCRIPTION
32	690698	Screw (Connecting Rod)	74	691647	Screw (Rotating Screen)	118	231780	Jet–Main (High Altitude)
33	807681	Valve–Exhaust	75	691490	Washer (Flywheel)	118A	807907	Jet–Main (High Altitude)
34	807680	Valve–Intake			(Used Before Code Date 95050100).	118B	●809693	Jet–Main (High Altitude)
35	692084	Spring–Valve (Intake)	78	690688	Screw (Flywheel Guard)	121A	808718	Kit–Carburetor Overhaul (Used After Code Date 98093000).
36	692084	Spring–Valve (Exhaust)	94	808258	Kit–Idle Mixture (Used Before Code Date 96010800).			----- Note -----
37	690715	Guard–Flywheel (Black)	94A	●808260	Kit–Idle Mixture (Used Before Code Date 95100100).			694068 Kit–Carburetor Overhaul (Used Before Code Date 98100100).
40	692058	Retainer–Valve	94B	●808374	Kit–Idle Mixture (Used After Code Date 96010700).	121B	808263	Kit–Carburetor Overhaul (Used After Code Date 95093000).
42	807683	Keeper–Valve	94D	494923	Kit–Idle Mixture (Used After Code Date 95093000).			----- Note -----
45	690977	Tappet–Valve	95	690728	Screw (Throttle Valve)			808263 Kit–Carburetor Overhaul (Used Before Code Date 95100100).
46	691557	Camshaft	95A	94466	Screw (Throttle Valve)	122B	690748	Spacer–Carburetor
50B	690754	Manifold–Intake ----- Note ----- 692156 Manifold– Intake Used on Type No(s). 1141, 1159.	97A	808375	Shaft–Throttle	125A	808725	Carburetor
51	★691694	Gasket–Intake (Manifold/Carburetor Spacer)	97B	807909	Shaft–Throttle	125B		Carburetor (Serviced By 808725 Carburetor Only)
51B	★△692035	Gasket–Intake (Manifold/Heads)	98	807705	Kit–Idle Speed			127 ●690731 Plug–Welch (6.9mm Diameter)
54	690676	Screw (Intake Manifold)	98A	494690	Kit–Idle Speed	127A	●690730	Plug–Welch (9mm Diameter)
55	691568	Housing–Rewind Starter	104	●690739	Pin–Float Hinge	130A	224533	Valve–Throttle
55A	492193	Housing–Rewind Starter	104A	●231652	Pin–Float Hinge	130B	806470	Valve–Throttle (Used After Code Date 98062600).
56	692085	Pulley–Starter	105	●807706	Valve–Float Needle			----- Note -----
56B	281235	Pulley–Starter	105A	●808023	Valve–Float Needle			690732 Valve–Throttle (Used Before Code Date 98062700).
57	692086	Spring–Rewind Starter	106●		Seat–Inlet (Sold in Kit Only)	133	807710	Float–Carburetor
57A	492194	Spring–Rewind Starter	108	690729	Valve–Choke	133A	492283	Float–Carburetor
58	66574	Rope–Starter (Cut To Required Length)	108A	224534	Valve–Choke	137	◆●806481	Gasket–Float Bowl
58A	695002	Rope–Starter (Cut To Required Length)	109	807711	Shaft–Choke	142A	●231781	Nozzle–Carburetor (Standard)
59	805957	Insert–Grip	109A	807911	Shaft–Choke	142B	691555	Nozzle–Carburetor (Standard)
59A	490652	Insert–Grip	117C	●806471	Jet–Main (Standard) (Used After Code Date 98093000).			----- Note -----
60	808167	Grip–Starter Rope			(Used Before Code Date 98100100).			691554 Jet–Main (Standard)
60A	490652	Grip–Starter Rope			----- Note -----			
65	691982	Screw (Rewind Starter)			691554 Jet–Main (Standard)			
72	●806480	Tube–Jet			(Used Before Code Date 98100100).			
73	494439	Screen–Rotating						

★ Included in Engine Gasket Set–Ref. No. 358A.

● Included in Carburetor Overhaul Kit–Ref. No. 121A or 121B.

◆ Included in Carburetor Gasket Set–Ref. No. 977 or 977A.

△ Included in Valve Gasket Set–Ref. No. 1095A.

Illustrations cover a range of engines. Parts shown without corresponding text may not be used on your specific engine.

REF. NO.	PART NO.	DESCRIPTION	REF. NO.	PART NO.	DESCRIPTION	REF. NO.	PART NO.	DESCRIPTION
146	691639	Key-Timing	206	691244	Nut-Governor Adjusting	216	690705	Link-Choke ----- Note -----
161	691561	Base-Air Cleaner (Metal) ----- Note ----- 842830 Base-Air Cleaner (Metal) Used on Type No(s). 1163, 1168.	208	808453	Rod-Governor Control			690871 Link-Choke Used on Type No(s). 1169.
			209	692070	Spring-Governor (Red) ----- Note ----- 692071 Spring-Governor (White) Used on Type No(s). 0034, 0114, 0116, 0120, 0125, 0450, 1034, 1112, 1114, 1120, 1125, 1130, 1131, 1137, 1147, 1149, 1154, 1155, 1156, 1159, 1163, 1167, 1168, 1169, 1170.	222	808454	Bracket-Control
163	★692081	Gasket-Air Cleaner (Used With Metal Air Cleaner Base)				226	692075	Rod-Hand Choke
163A	★692052	Gasket-Air Cleaner (Used With Plastic Air Cleaner Base)				227	690236	Lever-Governor Control
165	693148	Nut (Ring Gear)				231	690728	Screw (Choke Valve)
185	690939	Nut (Air Cleaner Base)				231A	94457	Screw (Choke Valve)
186	693184	Connector-Hose				232	692073	Spring-Governor Link
186A	691764	Connector-Hose				234	691723	Clip-Control Rod
187A	791745	Line-Fuel (Cut To Required Length) ----- Note ----- 791766 Line-Fuel (Cut To Required Length)				239	690233	Switch-Oil Pressure (Oil GARD Only)
						240	394358S	Filter-Fuel (White, 75 Microns)
187B	399254	Line-Fuel (Molded)				240A	691035	Filter-Fuel (Includes Paper Element With A 40 Micron Rating)
188	692056	Screw (Control Bracket)				254	807713	Drain-Carburetor Bowl
192	807623	Adjuster-Rocker Arm				254A	492274	Drain-Carburetor Bowl
203	690923	Crank-Bell ----- Note ----- 808753 Crank-Bell Used on Type No(s). 1163, 1168, 1169.				262	692083	Screw (Rod Bracket)
						265	691024	Clamp-Casing
						267	692083	Screw (Casing Clamp)
						268	691025	Casing-Control Wire (Cut To Required Length)
						269	691026	Wire-Control (Cut To Required Length)
						270	691027	Nut (Control Wire Casing)
			211	692069	Spring-Governed Idle	271	691028	Lever-Control
			212	690712	Link-Throttle	273	★690681	Seal-O Ring (Oil Pump)

★ Included in Engine Gasket Set-Ref. No. 358A.

● Included in Carburetor Overhaul Kit-Ref. No. 121A or 121B.

◆ Included in Carburetor Gasket Set-Ref. No. 977 or 977A.

△ Included in Valve Gasket Set-Ref. No. 1095A.

Illustrations cover a range of engines. Parts shown without corresponding text may not be used on your specific engine.

350700

REF. NO.	PART NO.	DESCRIPTION	REF. NO.	PART NO.	DESCRIPTION	REF. NO.	PART NO.	DESCRIPTION
276	690704	Washer-Sealing (Crankcase Cover/Sump)	308	841232	Cover-Cylinder Head (Cylinder 1)	334	692066	Screw (Magneto Armature)
276A	★△807085	Washer-Sealing (Rocker Cover) (Used After Code Date 01120200).	308C	692805	Cover-Cylinder Head (Cylinder 2)	337	491055S	Plug-Spark
		----- Note -----	308D	841317	Cover-Cylinder Head (Cylinder 1)	346	690661	Screw (Spark Arrestor)
		691766 Washer-Sealing (Used Before Code Date 01120300).	308E	806544	Cover-Cylinder Head (Cylinder 2)	349	690238	Nut (Cylinder Head Cover)
276B	◆●806476	Washer-Sealing (Float Bowl)	308F	841182	Cover-Cylinder Head (Cylinder 2)	355	842122	Washer (Muffler Bracket)
276C	◆●806477	Washer-Sealing (Carburetor Plug)	309	691564	Motor-Starter (Steel Ring Gear Only)	356A	807063	Wire-Stop Used on Type No(s). 1166.
276D	◆●692343	Washer-Sealing (Float Bowl)	309A		Motor-Starter (For Replacement Starter Motor, Order Reference 309)	357	691483	Key-Drive Pulley
278	842122	Washer (Governor Control Lever)	309B	499521	Motor-Starter (Services Aluminum Ring Gear Only)	358A	808389	Gasket Set-Engine
280	691526	Bracket-Rod	309C		Motor-Starter (For Replacement Starter Motor, Order Reference 309)	359	691077	Washer (Ground Terminal)
287	807084	Screw (Dipstick Tube)	309E	808726	Motor-Starter Used on Type No(s). 1137, 1154.	363	19203	Puller-Flywheel
300B	498984S	Muffler	310	496880	Screw (Starter Motor)	373A	691612	Nut (Ground Terminal)
300C	692099	Muffler	310A	690323	Screw (Starter Motor)	377	808095	Key-Woodruff
300D	807953	Muffler	310B	691263	Screw (Starter Motor)	383	19576S	Wrench-Spark Plug
300E	807969	Muffler	310C	692329	Screw (Starter Motor)	385	807084	Screw (Fuel Pump)
300F	807752	Muffler	311	496887	Brush Set	387	808656	Pump-Fuel
304A	690929	Housing-Blower (Black)	311A	497608	Brush Set	388	820799	Lever-Pinion Drive
		----- Note -----	311B	490311	Brush Set (4 9/16" Housing Length)	400	808657	Cooler-Oil Used on Type No(s). 1137, 1154.
		690930 Housing-Blower (Red)	318	841233	Screw (Mounting Bracket)	402	690679	Screw (Oil Filter Cover)
304D	693038	Housing-Blower Used on Type No(s). 1137, 1154.	322	692067	Screw (Cylinder Head Cover)	403A	690288	Washer (End Cap)
305	692056	Screw (Blower Housing) (14mm)	332	690887	Nut (Flywheel)	413	693587	Nut (Starter Motor)
305A	692062	Screw (Blower Housing) (18mm Long)	332A	805744	Nut (Flywheel)	415	690283	Plug (Square Head)
			333	492341	Armature-Magneto	417	810074	Screw (Oil Cooler)
						432	691509	Cap-Spring
						436B	691502	Manifold-Exhaust (Cylinder 1) (Side Outlet)(Used With Customer Supplied Muffler) Used on Type No(s). 1149, 1155, 1157, 1158, 1163, 1164, 1167, 1168, 1169, 1171.

★ Included in Engine Gasket Set-Ref. No. 358A.

● Included in Carburetor Overhaul Kit-Ref. No. 121A or 121B.

◆ Included in Carburetor Gasket Set-Ref. No. 977 or 977A.

△ Included in Valve Gasket Set-Ref. No. 1095A.

Illustrations cover a range of engines. Parts shown without corresponding text may not be used on your specific engine.

REF. NO.	PART NO.	DESCRIPTION	REF. NO.	PART NO.	DESCRIPTION	REF. NO.	PART NO.	DESCRIPTION
436C	691501	Manifold-Exhaust (Cylinder 2) (Side Outlet)(Used With Customer Supplied Muffler) Used on Type No(s). 1138.	460	806667	Connector-Filter Adapter Used on Type No(s). 1137, 1154.	527	690423	Clamp-Tube
436D	805778	Manifold-Exhaust (Wide Area Walker)	466	806466	Seal-O Ring (Breather Assembly) Used on Type No(s). 1163, 1168, 1169.	529	690744	Grommet
437A	691902	Screw (Exhaust Manifold)	467	691985	Knob-Air Cleaner	529A	805783	Grommet (Breather Extension)
437B	692062	Screw (Exhaust Manifold)	467A	690895	Knob-Air Cleaner	544	690855	Armature-Starter
439	692154	Seal-O Ring (Crankcase Cover/Sump) (Used After Code Date 97043000). ----- Note ----- 805198 Seal-O Ring (Crankcase Cover/Sump) (Used Before Code Date 97050100).	474A	696578	Alternator (DC Only)	544A	693548	Armature-Starter
445	394018S	Filter-Air Cleaner Cartridge (Round)	474C	696457	Alternator (Tri Circuit)	544B		Armature-Starter (Serviced By 499521 Starter Motor Only)
445A	805113	Filter-Air Cleaner Cartridge (Rectangular)	474D	696458	Alternator (10-16 Amp Regulated)	544C	490309	Armature-Starter
447	841233	Screw (Air Guide Cover)	493	691503	Bracket-Mounting	552	690701	Bushing-Governor Crank
448	806423	Bracket-Oil Cooler Used on Type No(s). 1137, 1154.	501	691185	Regulator (3 Wire)(16 Amp) ----- Note ----- 808877 Regulator Used on Type No(s). 1154, 1159.	552A	806686	Bushing-Governor Crank
454	693289	Cap-Breather Used on Type No(s). 1163, 1168, 1169.	501A	691188	Regulator (2 Wire)(9 Amp)	562	690239	Bolt (Governor Control Lever)
455B	807881	Cup-Flywheel	503	691532	Strap-Starter	563	841233	Screw (Debris Screen Guard)
455C	690864	Cup-Flywheel	505	690238	Nut (Governor Control Lever)	565	690682	Stud (Oil Filter Adapter)
456	691529	Plate-Pawl Friction	506	690677	Screw (Carburetor Cover)	572	690686	Baffle-Breather
456A	224228	Plate-Pawl Friction	507	691972	Insulator	573	841310	Plate-Back ----- Note ----- 693045 Plate-Back Used on Type No(s). 1137, 1154.
459	808166	Pawl-Ratchet	510	496881	Drive-Starter	578	692306	Wire Assembly (1 Wire, 48-1/2" Long)(Snap Connect Female Pin Socket, And Bare Wire End)
459A	492431	Pawl-Ratchet	510A	696541	Drive-Starter	578A	692319	Wire Assembly (With Diodes)
			510B	696540	Drive-Starter	596	691492	Screw (Oil Pump)
			513	692024	Clutch-Drive	597	690876	Screw (Pawl Friction Plate)
			515	691528	Spring-Pawl	597A	94463	Screw (Pawl Friction Plate)
			520	691084	Terminal-Ground (Brass)			
			523	692101	Dipstick			
			525	692093	Tube-Dipstick			
			526	692067	Screw (Regulator)			
			526A	690717	Screw (Regulator)(5 To 9 Amp Regulated)			

★ Included in Engine Gasket Set-Ref. No. 358A.

● Included in Carburetor Overhaul Kit-Ref. No. 121A or 121B.

◆ Included in Carburetor Gasket Set-Ref. No. 977 or 977A.

△ Included in Valve Gasket Set-Ref. No. 1095A.

Illustrations cover a range of engines. Parts shown without corresponding text may not be used on your specific engine.

350700

REF. NO.	PART NO.	DESCRIPTION	REF. NO.	PART NO.	DESCRIPTION	REF. NO.	PART NO.	DESCRIPTION
600	841016	Spacer–Air Cleaner Used on Type No(s). 1163, 1168.	676B	396903	Deflector–Muffler (Direct Out)	773	690875	Retainer (Pawl Friction Plate)
601	841859	Clamp–Hose (Silver)	677	690661	Screw (Muffler Deflector)	783	695708	Gear–Pinion (Services Aluminum Ring Gear Only)
		----- Note ----- 691145 Clamp–Hose (Silver) Used on Type No(s). 1137, 1154, 1163, 1168, 1169.	683	710081	Nut (Starter Solenoid)	788	691559	Bracket–Fuel Pump
601B	691038	Clamp–Hose (Silver)	689	691272	Spring–Friction	789	698332	Harness–Wiring Used on Type No(s). 1166.
601C	691522	Clamp–Hose	689A	262564	Spring–Friction	797	693167	Nut (Brush Retainer)
608	692102	Starter–Rewind	691	690680	Seal–Governor Shaft	797A	691029	Nut (Brush Retainer)
608B	494926	Starter–Rewind	695	693109	Screw (Ring Gear)	801	808778	Cap–Drive
613	692581	Screw (Muffler)	697	692062	Screw (Drive Cap)	801B	691283	Cap–Drive
615	691550	Retainer–Governor Shaft	710	807689	Cover–Oil Filter	802	496813	Cap–End
616	806685	Crank–Governor	711	690699	Screw (Carburetor Shield)	802A	691286	Cap–End
616A	690899	Crank–Governor (Used Before Code Date 99072100).	711A	807084	Screw (Carburetor Shield)	803	690854	Housing–Starter
628A	806660	Screw (Fuel Pump Bracket)	711B	841233	Screw (Carburetor Shield)	803A	693547	Housing–Starter
633	◆●690738	Seal–Choke/Throttle Shaft	718	806469	Pin–Locating	803B		Housing–Starter (Serviced By 499521 Starter Motor Only)
633A	●808022	Seal–Choke/Throttle Shaft	725	806102	Shield–Heat	803C	494205	Housing–Starter (4–3/8" Housing Length)
635	692076	Boot–Spark Plug	726		Gear–Ring (Steel)(See Reference 23 for Service)			----- Note ----- 398892 Housing– Starter (4 9/16" Housing Length)
637	●690735	Washer (Throttle Shaft)	726A	807805	Gear–Ring (Aluminum)	807	●690733	Spacer–Throttle
638	690706	Washer (Cylinder Head Cover)	727	841313	Cover–Starter Drive (Black)	812	△692055	Nut (Rocker Cover) (Used Before Code Date 01120300).
638A	691551	Washer (Cylinder Head Cover) (Used Before Code Date 03110100).	728	690297	Screw (Heat Shield)	816	690706	Washer (Oil Filter Adapter)
643	692079	Retainer–Air Filter	729	805827	Clip–Wire (Black)(Spring Steel)	819A	692067	Screw (Muffler Bracket)
654	690939	Nut (Carburetor)	729B	690586	Clip–Wire (Snap In)(Nylon)			----- Note ----- 690297 Screw (Muffler Bracket) Used on Type No(s). 1149, 1155, 1157, 1158, 1163, 1164, 1167, 1168, 1169, 1171.
668A	691500	Spacer (Rotating Screen)	732	690688	Screw (Starter Drive Cover)			
668B	●690737	Spacer	732A	841233	Screw (Starter Drive Cover)			
676	393761	Deflector–Muffler (Side Out)	737	690679	Screw (Oil Filter Adapter)			
			739	690451	Clip–Debris			
			741	691530	Gear–Timing			
			742	●805578	Retainer–E Ring			
			748	692083	Screw (Control Rod Clip)			

★ Included in Engine Gasket Set–Ref. No. 358A.

● Included in Carburetor Overhaul Kit–Ref. No. 121A or 121B.

◆ Included in Carburetor Gasket Set–Ref. No. 977 or 977A.

△ Included in Valve Gasket Set–Ref. No. 1095A.

Illustrations cover a range of engines. Parts shown without corresponding text may not be used on your specific engine.

REF. NO.	PART NO.	DESCRIPTION	REF. NO.	PART NO.	DESCRIPTION	REF. NO.	PART NO.	DESCRIPTION
819C	692537	Screw (Muffler Bracket)	876	696539	Kit-Pinion Spring	947A	690924	Solenoid-Fuel (Used Before Code Date 98100100).
819D	692056	Screw (Muffler Bracket)	877A	393814	Wire/Connector-Alternator (DC Only)	947C	494312	Solenoid-Fuel
830	809157	Stud-Rocker Arm (Used After Code Date 96033100).	877B	393537	Wire/Connector-Alternator (Tri Circuit)	949	808030	Guard-Debris Screen
830A	691497	Stud-Rocker Arm (Used Before Code Date 96040100).	877C	399916	Wire/Connector-Alternator (2 Wires, 7-53/64" Long)(2 Bare Wire Ends, And Insulated Snap Connect Male Pin Terminal)	950	691511	Screw-Float Bowl
832	692361	Guard-Muffler Used on Type No(s). 1149, 1155, 1157, 1158, 1164, 1165.	878A	691955	Harness-Alternator	950A	807914	Screw-Float Bowl
833	690872	Screw (Air Cleaner Mounting Strap/Stud) (Used After Code Date 97103100).	879	841860	Cover-Carburetor	955	807714	Plug-Carburetor
833A	841233	Screw (Air Cleaner Mounting Strap/Stud)	882	692074	Flange-Exhaust	967	272490S	Filter-Pre Cleaner (Round)
836	691982	Screw (Muffler Guard)	883A	★△691613	Gasket-Exhaust	967A	805267S	Filter-Pre Cleaner (Rectangular) Used on Type No(s). 0119.
842	691870	Seal-O Ring (Dipstick Tube)	884	690898	Clamp-Muffler (1 9/64" Inside Diameter)	968	699959	Cover-Air Cleaner (Used With Metal Air Cleaner Base)
851	493880S	Terminal-Spark Plug	892	692318	Switch-Key	968A	690694	Cover-Air Cleaner (Used With Plastic Air Cleaner Base)
862	692542	Strap/Stud-Air Cleaner Mounting	893	710068	Nut (Starter Solenoid)	971C	691492	Screw (Air Cleaner Base to Carburetor)
862A	690896	Strap/Stud-Air Cleaner Mounting	896	691641	Pin-Drive Retainer	975	807715	Bowl-Float
862B	692153	Strap/Stud-Air Cleaner Mounting Used on Type No(s). 1163, 1168.	914	806421	Screw (Rocker Cover) Used on Type No(s). 1163, 1168, 1169.	975A	807913	Bowl-Float
863	691513	Bracket-Muffler	918	393815	Hose-Vacuum (Cut To Required Length)	977	808325	Gasket Set-Carburetor (Used After Code Date 95093000).
863B	805610	Bracket-Muffler	920	691656	Solenoid-Starter	977A	807916	Gasket Set-Carburetor (Used Before Code Date 95100100).
865	841312	Cover-Air Guide (Black)	920A	825418	Solenoid-Starter	987	◆●691548	Seal-Throttle Shaft
865A	690901	Cover-Air Guide (Black)	934	691058	Screw (Fan Retainer)	988	★692063	Gasket-Oil Adapter
868	691963	Seal-Valve	947	806472	Solenoid-Fuel (Used After Code Date 98093000).	988A	★690687	Gasket-Oil Adapter
871	692057	Bushing-Valve Guide				990	691959	Key Set
875	690894	Base-Air Cleaner (Plastic)				994	392390	Arrestor-Spark
						996	691577	Shield-Carburetor
						996A	690696	Shield-Carburetor
						1004	690743	Duct-Air (Used With Metal Air Cleaner Base)
						1004A	692538	Duct-Air (Used With Plastic Air Cleaner Base)

★ Included in Engine Gasket Set-Ref. No. 358A.

● Included in Carburetor Overhaul Kit-Ref. No. 121A or 121B.

◆ Included in Carburetor Gasket Set-Ref. No. 977 or 977A.

△ Included in Valve Gasket Set-Ref. No. 1095A.

Illustrations cover a range of engines. Parts shown without corresponding text may not be used on your specific engine.

350700

REF. NO.	PART NO.	DESCRIPTION	REF. NO.	PART NO.	DESCRIPTION	REF. NO.	PART NO.	DESCRIPTION
1005	809441	Fan-Flywheel (Used After Code Date 00121200). ----- Note ----- 690911 Fan-Flywheel (Used Before Code Date 00121300).	1027	492932S	Filter-Oil (2 1/4" Long) (Used After Code Date 95020500). ----- Note ----- 491056 Filter-Oil (3 1/4" Long) (Used Before Code Date 95020600).	1083A	690958	Nut (End Cap)
1006	690452	Retainer-Fan	1028	808235	Adapter-Oil Filter	1090	691293	Retainer-Brush
1009	806474	Screw (Starter Motor)	1028A	808537	Adapter-Oil Filter	1091	●691515	Cap-Limiter
1011	692929	Tube-Vent (Cut To Required Length)	1029	807323	Arm-Rocker	1091A	●806054	Cap-Limiter
1017	690878	Screen-Oil Pump	1030	691496	Support-Rocker Arm	1095A	808391	Gasket Set-Valve
1019	808036	Kit-Label	1031	690693	Shaft-Rocker Arm	1100	791959	Pivot-Rocker Arm
1022*Δ	806039S	Gasket-Rocker Cover	1036		Label-Emissions (Available from an Authorized Briggs & Stratton Service Dealer)	1119	691552	Screw (Alternator)
1023	808648	Cover-Rocker Used on Type No(s). 1163, 1168, 1169.	1037	●807717	Ball-Choke Locator	1121	810056	Nut (Fuel Pump Bracket)
1023A	691558	Cover-Rocker (Cylinder 1) (With Fuel Pump)	1037A	●807915	Ball-Choke Locator	1122	93410	Screw (Blower Housing Adapter)
1023B	691494	Cover-Rocker	1044	805756	Screw (Flywheel)	1130	690746	Stud (Intake Manifold)
1023C	690758	Cover-Rocker	1046	692082	Plug-Blower Housing Used on Type No(s). 1163, 1168.	1134	94464	Washer (Pawl Friction Plate)
1024	693186	Pump-Oil	1051	●690736	Ring-Retaining	1134A	94462	Washer (Pawl Friction Plate)
1025	690689	Spool-Governor	1051A	691124	Ring-Retaining	1135	806497	Washer (Crankcase Cover/Sump)
1026	691836	Rod-Push (Intake)(Steel) ----- Note ----- 691758 Rod-Push (Exhaust)(Aluminum)	1051B	691265	Ring-Retaining	1155	806647	Washer (Oil Cooler) Used on Type No(s). 1137, 1154.
			1054	280275	Tie-Cable	1254	807084	Screw (Rocker Cover Stud) (Used After Code Date 01120200).
			1058	276353	Operator's Manual	1330	272144	Repair Manual
			1068	841999	Hose/Clamp Assembly			
			1083	691626	Nut (End Cap)			

★ Included in Engine Gasket Set-Ref. No. 358A.

● Included in Carburetor Overhaul Kit-Ref. No. 121A or 121B.

◆ Included in Carburetor Gasket Set-Ref. No. 977 or 977A.

Δ Included in Valve Gasket Set-Ref. No. 1095A.

Illustrations cover a range of engines. Parts shown without corresponding text may not be used on your specific engine.