



Illustrated Parts List

Model Series

185400

TYPE NUMBERS
0035 THROUGH 0628.

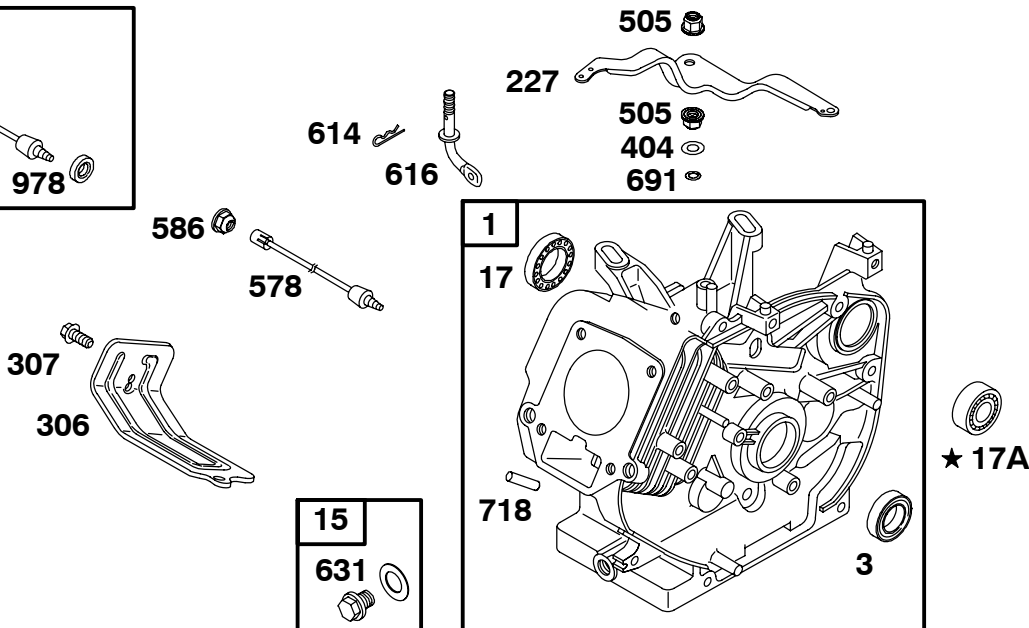
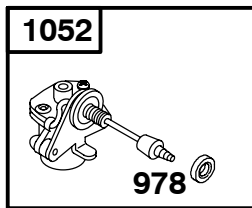
TABLE OF CONTENTS

Air Cleaner	17, 18, 19
Blower Housing	29
Camshaft	7
Carburetor	12, 14
Controls	15, 16
Control Panel	24, 25, 26
Crankcase Cover	4
Crankshaft	8, 10, 11
Cylinder	2
Cylinder Head	5
Electric Starter	31
Exhaust System	22, 23
Flywheel	27
Fuel Supply	20, 21
Gasket Set - Carburetor	32
Gasket Set - Engine	32
Gasket Set - Valve	32
Governor Spring	15
Ignition	26, 27
Kit - Carburetor Overhaul	32
Lubrication	3, 4
Oil Sensor Group	2
Piston, Rings, Connecting Rod	6
Rewind Starter	29
Valves	5

PRINTED IN U.S.A.



COPYRIGHT by BRIGGS & STRATTON CORPORATION
All rights reserved. No part of this material may be reproduced or transmitted, in any form or by any means, electronic or mechanical, including photocopying, recording or by any information storage and retrieval system, without permission in writing from Briggs & Stratton Corporation.



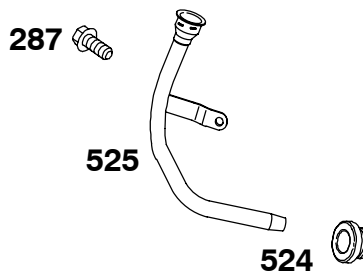
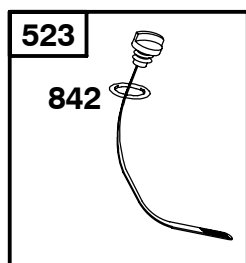
★ **REQUIRES SPECIAL TOOLS TO REPLACE. SEE REPAIR INSTRUCTION MANUAL.**

1058 OPERATOR'S MANUAL

REF. NO.	PART NO.	DESCRIPTION	REF. NO.	PART NO.	DESCRIPTION	REF. NO.	PART NO.	DESCRIPTION
1	715095	Cylinder Assembly ----- Note ----- 715190 Cylinder Assembly Used on Type No(s). 0039, 0044, 0074, 0075, 0076, 0077, 0080, 0081, 0084, 0164, 0242, 0254, 0255, 0259, 0274, 0275, 0276, 0280, 0284, 0295, 0298, 0303, 0390, 0440, 0512, 0513, 0543, 0547, 0554, 0562, 0620, 0623, 0626, 0628. 715232 Cylinder Assembly Used on Type No(s). 0099, 0399, 0563. 715675 Cylinder Assembly Used on Type No(s). 0539.			715677 Cylinder Assembly Used on Type No(s). 0131, 0137, 0142, 0236, 0538, 0542, 0548, 0565, 0612. 715746 Cylinder Assembly Used on Type No(s). 0130.			505 710059 Nut (Governor Control Lever) 578 710308 Wire Assembly ----- Note ----- 710086 Wire Assembly Used on Type No(s). 0099, 0399. 586 710090 Nut (Oil Sensor) 614 710056 Pin-Cotter 616 710050 Crank-Governor 631 ★710004 Washer (Oil Drain Plug) 691 ★710055 Seal-Governor Shaft 718 710005 Pin-Locating 978 ★710091 Gasket-Oil Gard® 1052 715353 Sensor-Oil 1058 MS3824 Operator's Manual
			3	★710000	Sel-Oil (Magneto Side)			
			15	715000	Plug-Oil Drain			
			17	710003	Bearing-Ball			
			17A	710482	Bearing-Ball Used on Type No(s). 0038, 0039, 0084, 0099, 0238, 0239, 0302, 0303, 0399, 0563.			
			227	710238	Lever-Governor Control			
			306	710242	Shield-Cylinder			
			307	710023	Screw (Cylinder Shield)			
			404	710058	Washer (Governor Crank)			

★ Included in Engine Gasket Set-Ref. No. 358.
△ Included in Valve Gasket Set-Ref. No. 1095.

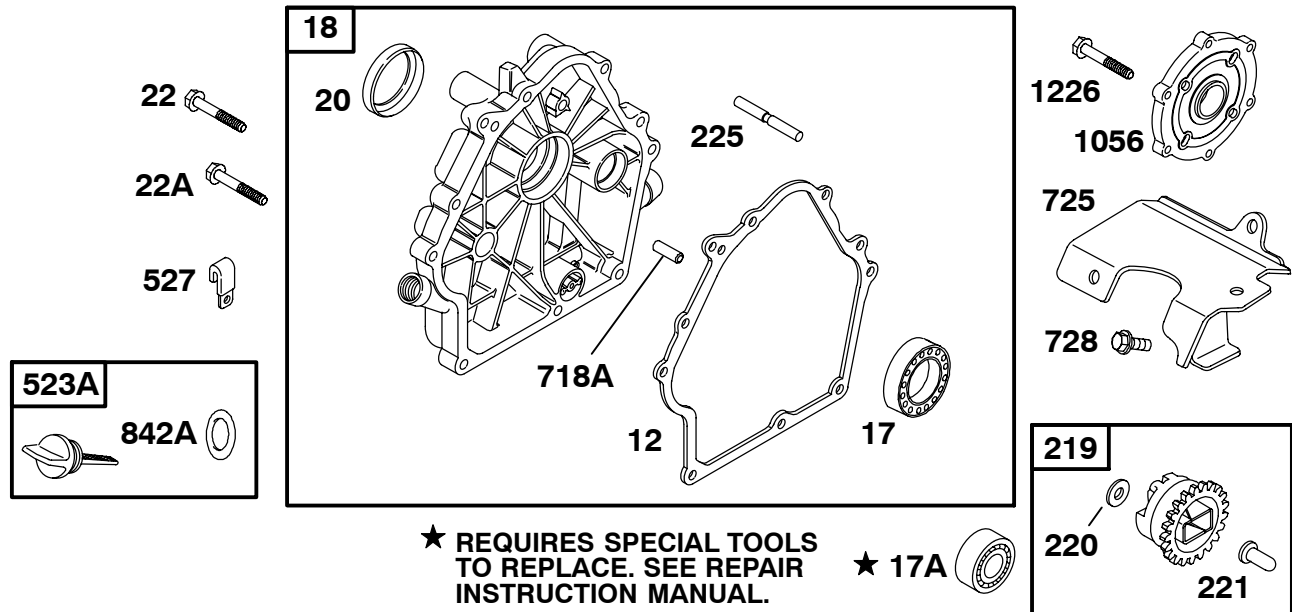
◆ Included in Carburetor Gasket Set-Ref. No. 977.
● Included in Carburetor Overhaul Kit-Ref. No. 121.



REF. NO.	PART NO.	DESCRIPTION	REF. NO.	PART NO.	DESCRIPTION	REF. NO.	PART NO.	DESCRIPTION
287	710023	Screw (Dipstick Tube)	524	710394	Seal-Dipstick Tube Used on Type No(s). 0099, 0399.	842	690611	Seal-O Ring (Dipstick) Used on Type No(s). 0099, 0399.
523	692100	Dipstick Used on Type No(s). 0099, 0399.	525	710391	Tube-Dipstick Used on Type No(s). 0099, 0399.			

★ Included in Engine Gasket Set-Ref. No. 358.
 Δ Included in Valve Gasket Set-Ref. No. 1095.

◆ Included in Carburetor Gasket Set-Ref. No. 977.
 ● Included in Carburetor Overhaul Kit-Ref. No. 121.



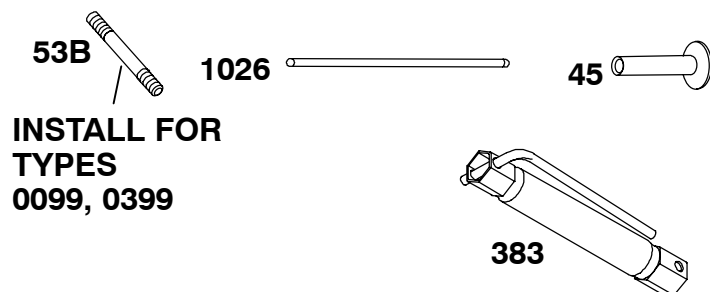
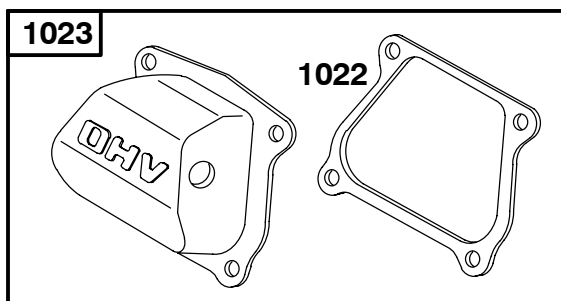
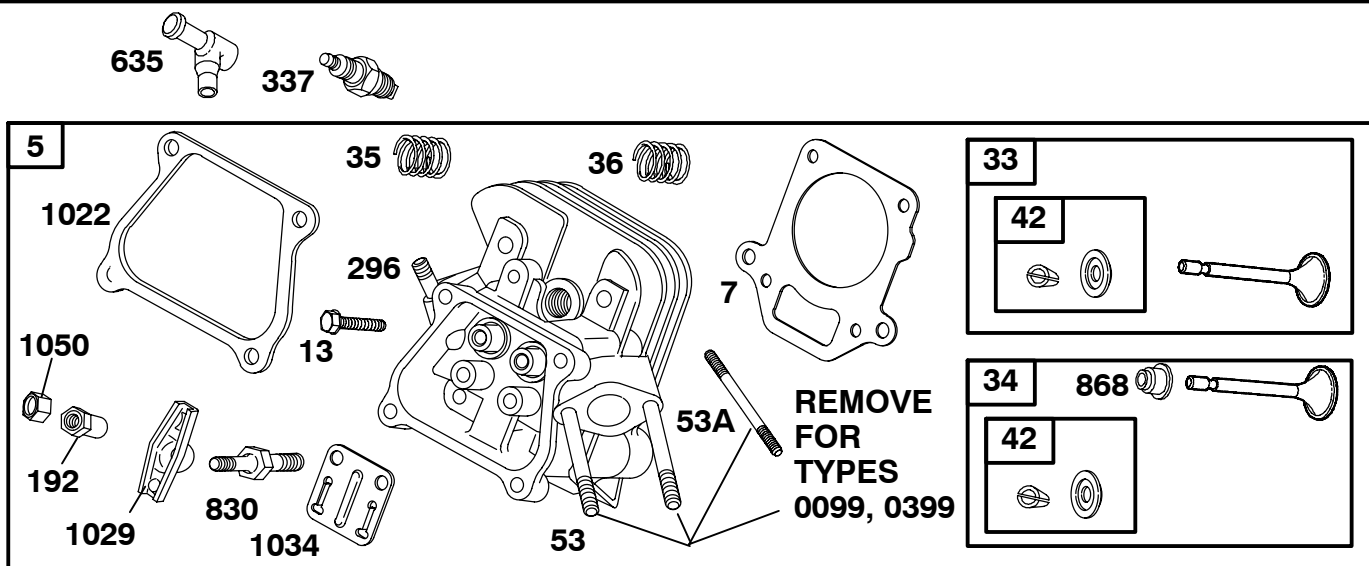
★ REQUIRES SPECIAL TOOLS TO REPLACE. SEE REPAIR INSTRUCTION MANUAL.

★ 17A

REF. NO.	PART NO.	DESCRIPTION	REF. NO.	PART NO.	DESCRIPTION	REF. NO.	PART NO.	DESCRIPTION
12	★710216	Gasket-Crankcase	22	710032	Screw (Crankcase Cover/Sump) (Quantity 8)	527	710100	Clamp-Tube
17	710003	Bearing-Ball				718A	710034	Pin-Locating
17A	710482	Bearing-Ball Used on Type No(s). 0038, 0039, 0099, 0238, 0239, 0399, 0563.	22A	710306	Screw (Crankcase Cover/Sump) (Quantity 1)	725	710259	Shield-Heat
			219	715727	Gear-Governor (Used After Code Date 99073100). ----- Note ----- 715679 Gear-Governor (Used Before Code Date 99080100).	728	710023	Screw (Heat Shield)
18	715189	Cover-Crankcase ----- Note ----- 715122 Cover-Crankcase Used on Type No(s). 0072, 0076, 0084, 0127, 0131, 0142, 0164, 0272, 0542, 0563, 0566, 0620. 715281 Cover-Crankcase Used on Type No(s). 0099, 0130, 0399. 715282 Cover-Crankcase Used on Type No(s). 0059, 0103, 0259, 0548, 0618. 715745 Cover-Crankcase Used on Type No(s). 0053, 0258, 0616, 0617.	220	710545	Washer (Governor Gear)	842A	★710218	Seal-O Ring (Dipstick)
			221	710872	Cup-Governor (Used After Code Date 99073100). ----- Note ----- 710027 Cup-Governor (Used Before Code Date 99080100).	1056	710326	Flange-Mounting Plate Used on Type No(s). 0616.
20	★710215	Seal-Oil (PTO Side)	225	710028	Shaft-Governor Gear	1226	710080	Screw (Mounting Plate Flange) Used on Type No(s). 0616.
			523A	715589	Dipstick (Used After Code Date 98013100). ----- Note ----- 710217 Dipstick (Used Before Code Date 98020100).			

★ Included in Engine Gasket Set-Ref. No. 358.
 Δ Included in Valve Gasket Set-Ref. No. 1095.

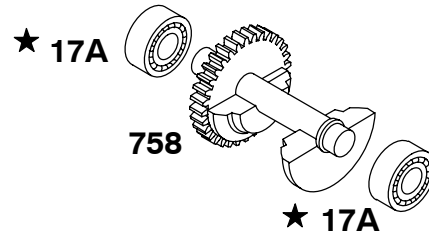
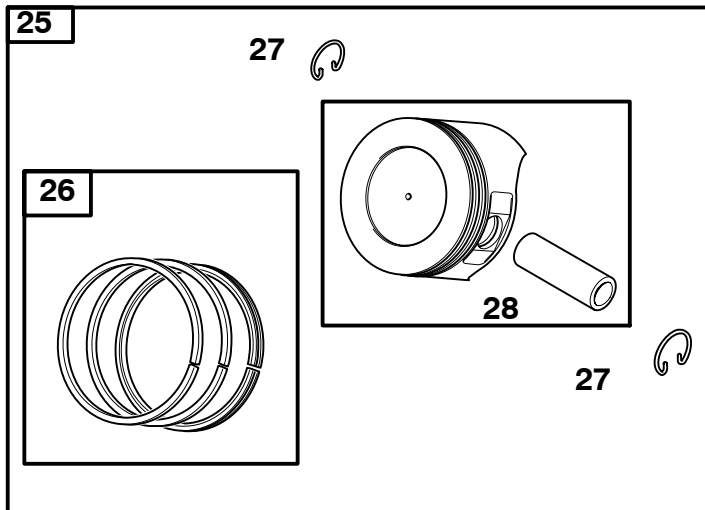
◆ Included in Carburetor Gasket Set-Ref. No. 977.
 ● Included in Carburetor Overhaul Kit-Ref. No. 121.



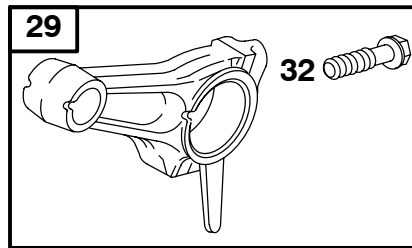
REF. NO.	PART NO.	DESCRIPTION	REF. NO.	PART NO.	DESCRIPTION	REF. NO.	PART NO.	DESCRIPTION
5	715089	Head-Cylinder	53	710233	Stud (Carburetor)(6MM X 90MM Long)	830	710016	Stud (Rocker Arm)
7	Δ710205	Gasket-Cylinder Head	53A	710592	Stud (Carburetor)(6MM X 85MM Long)	868	Δ711634	Seal-Valve (Used After Code Date 01123100).
13	710204	Screw (Cylinder Head)	53B	710398	Stud (Carburetor)(6MM X 95MM Long)	----- Note ----- Δ710863 Seal-Valve (Used Before Code Date 02010100).		
33	715085	Valve-Exhaust	192	710015	Adjuster-Rocker Arm	914	710023	Screw (Rocker Cover)
34	715754	Valve-Intake	296	710099	Stud (Muffler)	1022	Δ710206	Gasket-Rocker Cover
35	710209	Spring-Valve (Intake)	337	792015	Plug-Spark	1023	715091	Cover-Rocker
36	710209	Spring-Valve (Exhaust)	383	19576S	Wrench-Spark Plug	1026	710210	Rod-Push
40	710012	Retainer-Valve	635	710634	Boot-Spark Plug	1029	710014	Arm-Rocker
42	715130	Keeper-Valve				1034	710203	Guide-Push Rod
45	710008	Tappet-Valve				1050	710007	Nut (Rocker Arm)

★ Included in Engine Gasket Set-Ref. No. 358.
 Δ Included in Valve Gasket Set-Ref. No. 1095.

◆ Included in Carburetor Gasket Set-Ref. No. 977.
 ● Included in Carburetor Overhaul Kit-Ref. No. 121.



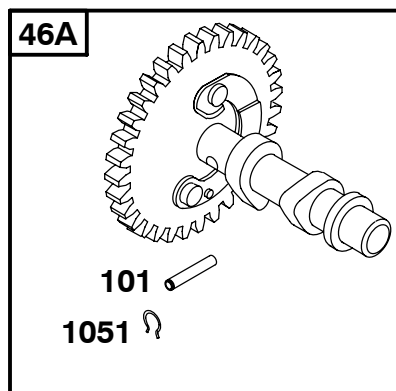
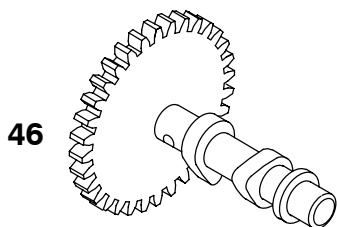
★ **REQUIRES SPECIAL TOOLS TO REPLACE. SEE REPAIR INSTRUCTION MANUAL.**



REF. NO.	PART NO.	DESCRIPTION	REF. NO.	PART NO.	DESCRIPTION	REF. NO.	PART NO.	DESCRIPTION
17A	710482	Bearing-Ball Used on Type No(s). 0039, 0084, 0099, 0238, 0239, 0399, 0563.	26	715111	Ring Set (Standard) ----- Note ----- 715113 Ring Set (.020" O.S.)	32	710221	Screw (Connecting Rod)
25	716144	Piston Assembly (Standard) ----- Note ----- 716199 Piston Assembly (0.50MM Oversize) 716166 Piston Assembly (Standard) Used on Type No(s). 0164. 716230 Piston Assembly (0.50MM Oversize) Used on Type No(s). 0164.	27	710220	Lock-Piston Pin	758	710481	Counterweight Used on Type No(s). 0038, 0039, 0084, 0099, 0238, 0239, 0399, 0563.
			28	711920	Pin-Piston			
			29	715106	Rod-Connecting (Standard)			

★ Included in Engine Gasket Set-Ref. No. 358.
 Δ Included in Valve Gasket Set-Ref. No. 1095.

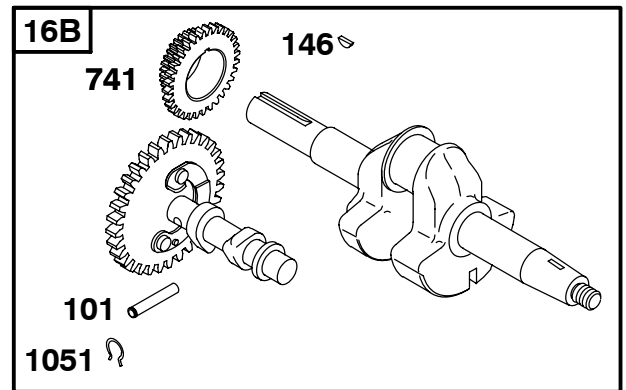
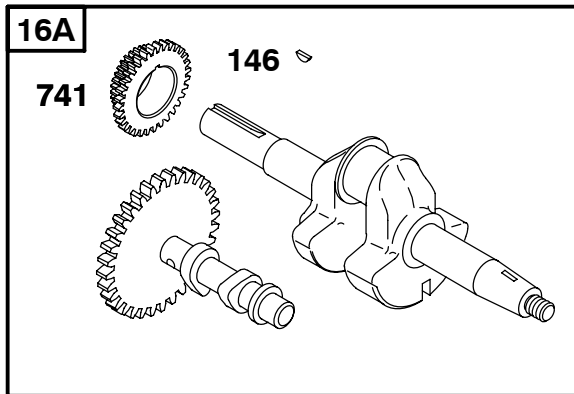
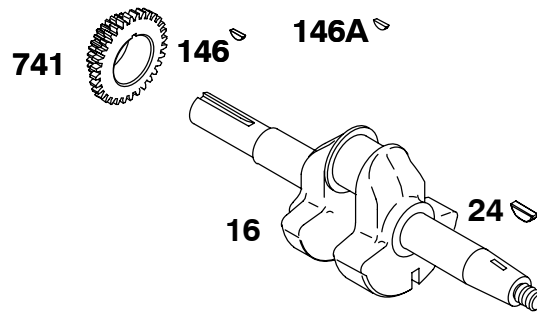
◆ Included in Carburetor Gasket Set-Ref. No. 977.
 ● Included in Carburetor Overhaul Kit-Ref. No. 121.



REF. NO.	PART NO.	DESCRIPTION	REF. NO.	PART NO.	DESCRIPTION	REF. NO.	PART NO.	DESCRIPTION
46	716007	Camshaft (Spur Gear, Without Compression Release) (Used After Code Date 99080200). Used on Type No(s). 0099, 0399. ----- Note ----- Camshaft (Crankshaft, Camshaft, Timing Gear, And Timing Key Must Be Replaced As A Set. See Ref. No. 16A For Correct Part Number) (Used Before Code Date 99080300). Used on Type No(s). 0099, 0399.	46A	715667	Camshaft (Spur Gear, With Compression Release) (Used After Code Date 99080200). ----- Note ----- Camshaft (Crankshaft, Camshaft, Timing Gear, And Timing Key Must Be Replaced As A Set. See Reference Number 16B, 16D, Or 16F For Correct Part Number) (Used Before Code Date 99080300). 715105 Camshaft (Helical Gear, With Compression Release) Used on Type No(s). 0072, 0127, 0131, 0142, 0156, 0272, 0542, 0549, 0563, 0566, 0620.	101	710219	Pin--Shaft
						1051	710039	Ring--Retaining

★ Included in Engine Gasket Set--Ref. No. 358.
 △ Included in Valve Gasket Set--Ref. No. 1095.

◆ Included in Carburetor Gasket Set--Ref. No. 977.
 ● Included in Carburetor Overhaul Kit--Ref. No. 121.



REF. NO.	PART NO.	DESCRIPTION	REF. NO.	PART NO.	DESCRIPTION	REF. NO.	PART NO.	DESCRIPTION
16	711565	Crankshaft (SAE 1" Keyway, Without Gear) (Used After Code Date 99080200). Used on Type No(s). 0035, 0037, 0038, 0039, 0044, 0046, 0076, 0084, 0087, 0136, 0137, 0141, 0145, 0235, 0236, 0238, 0246, 0251, 0259, 0273, 0276, 0284, 0301, 0513, 0538, 0539, 0545, 0547, 0548, 0553, 0554, 0559, 0562, 0565, 0571, 0612. ----- Note ----- 711590 Crankshaft (SAE 1" Keyway Rolled, Without Gear) (Used After Code Date 99080200). Used on Type No(s). 0099, 0130, 0239, 0302, 0303, 0399.			711587 Crankshaft (JIS Keyway, Without Gear) (Used After Code Date 99080200). Used on Type No(s). 0053, 0617.			16B 716009 Crankshaft (SAE 1" Keyway) (Crankshaft, Camshaft, Timing Gear, And Timing Key Must Be Replaced As A Set) (Used Before Code Date 9908300). Used on Type No(s). 0035, 0037, 0038, 0039, 0044, 0046, 0076, 0084, 0087, 0136, 0137, 0141, 0145, 0235, 0236, 0238, 0246, 0251, 0259, 0273, 0276, 0284, 0301, 0513, 0538, 0539, 0545, 0547, 0548, 0553, 0554, 0559, 0562, 0565, 0571, 0612. ----- Note ----- 716013 Crankshaft (JIS Keyway) (Crankshaft, Camshaft, Timing Gear, And Timing Key Must Be Replaced As A Set) (Used Before Code Date 9908300).
			16A	716010	Crankshaft (SAE 1" Keyway Rolled)(Crankshaft, Camshaft, Timing Gear, And Timing Key Must Be Replaced As A Set) (Used Before Code Date 99080300). Used on Type No(s). 0099, 0130, 0239, 0302, 0303, 0399.			

★ Included in Engine Gasket Set-Ref. No. 358.
 △ Included in Valve Gasket Set-Ref. No. 1095.

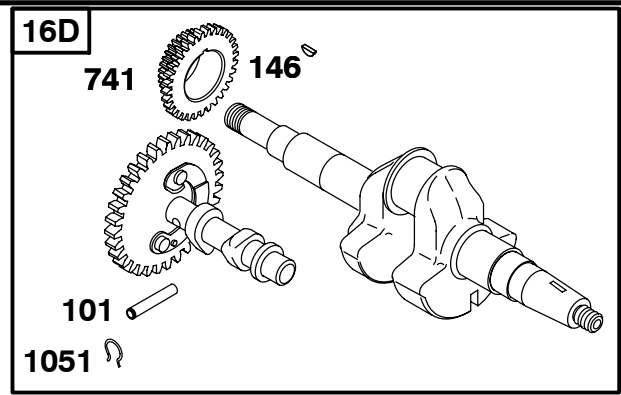
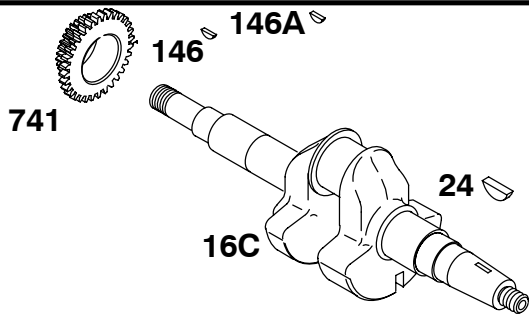
◆ Included in Carburetor Gasket Set-Ref. No. 977.
 ● Included in Carburetor Overhaul Kit-Ref. No. 121.

REF. NO.	PART NO.	DESCRIPTION	REF. NO.	PART NO.	DESCRIPTION	REF. NO.	PART NO.	DESCRIPTION
24	710037	Key-Flywheel	146	711336	Key-Timing (Used After Code Date 99080200).	741	715643	Gear-Timing (Spur Gear)
101	710219	Pin-Shaft (Used After Code Date 99080200).	146A	710037	Key-Timing (Used Before Code Date 99080300).	1051	710039	Ring-Retaining

★ Included in Engine Gasket Set-Ref. No. 358.
 △ Included in Valve Gasket Set-Ref. No. 1095.

◆ Included in Carburetor Gasket Set-Ref. No. 977.
 ● Included in Carburetor Overhaul Kit-Ref. No. 121.

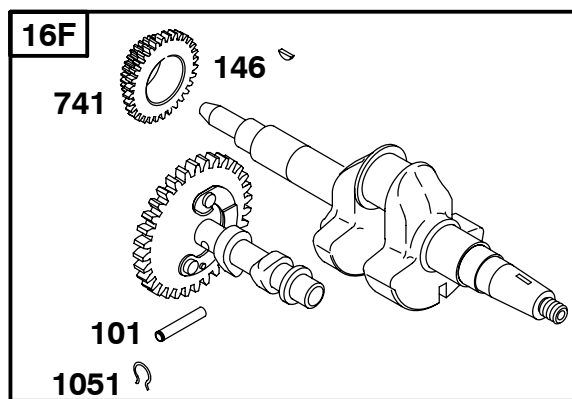
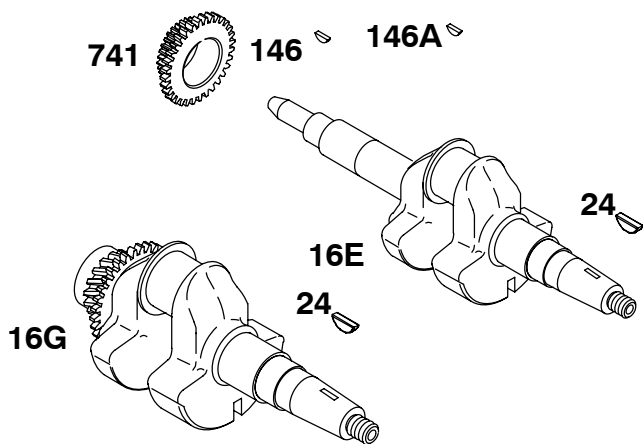
185400



REF. NO.	PART NO.	DESCRIPTION	REF. NO.	PART NO.	DESCRIPTION	REF. NO.	PART NO.	DESCRIPTION
16C	711591	Crankshaft (SAE 1" Threaded, Without Gear) (Used After Code Date 99080200). Used on Type No(s). 0043, 0047, 0247, 0297, 0543. ----- Note ----- 711592 Crankshaft (SAE 5/8" Threaded, Without Gear) (Used After Code Date 99080200). Used on Type No(s). 0512.	16D	716011	Crankshaft (SAE 1" Threaded) (Crankshaft, Camshaft, Timing Gear, And Timing Key Must Be Replaced As A Set) (Used Before Code Date 99080300) Used on Type No(s). 0043, 0047, 0247, 0297, 0543. ----- Note ----- 716016 Crankshaft (SAE 5/8" Threaded) (Crankshaft, Camshaft, Timing Gear, And Timing Key Must Be Replaced As A Set) (Used Before Code Date 99080300) Used on Type No(s). 0512.	24	710037	Key-Flywheel
						101	710219	Pin-Shaft
						146	711336	Key-Timing (Used After Code Date 99080200).
						146A	710037	Key-Timing (Used Before Code Date 99080300).
						741	715643	Gear-Timing (Spur Gear)
						1051	710039	Ring-Retaining

★ Included in Engine Gasket Set-Ref. No. 358.
 △ Included in Valve Gasket Set-Ref. No. 1095.

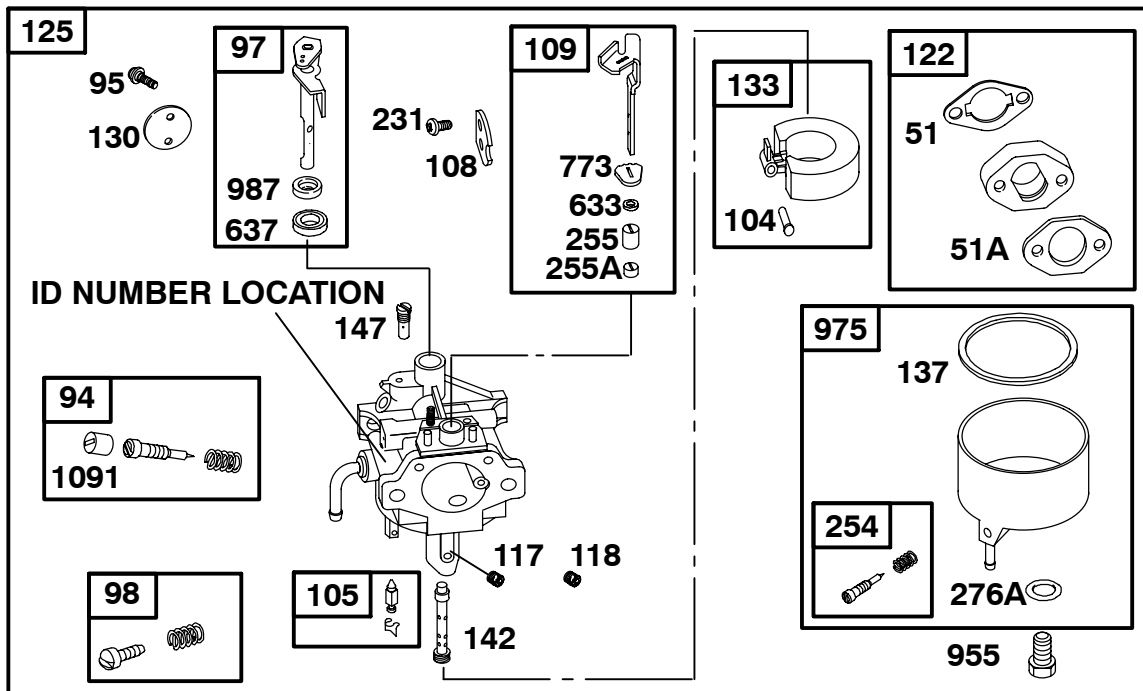
◆ Included in Carburetor Gasket Set-Ref. No. 977.
 ● Included in Carburetor Overhaul Kit-Ref. No. 121.



REF. NO.	PART NO.	DESCRIPTION	REF. NO.	PART NO.	DESCRIPTION	REF. NO.	PART NO.	DESCRIPTION
16E	711585	Crankshaft (SAE Taper, Without Gear) (Used After Code Date 99080200). Used on Type No(s). 0041, 0042, 0051, 0054, 0070, 0074, 0075, 0077, 0080, 0081, 0082, 0088, 0090, 0103, 0107, 0110, 0112, 0121, 0122, 0242, 0251, 0254, 0255, 0270, 0271, 0274, 0275, 0280, 0290, 0293, 0295, 0298, 0546, 0547, 0552, 0560, 0567, 0570, 0606, 0609, 0613, 0614, 0615, 0618, 0621, 0623, 0624, 0626, 0627, 0628. ----- Note ----- 711589 Crankshaft (JIS Taper, Without Gear) (Used After Code Date 99080300). Used on Type No(s). 0258.	16F	716008	711586 Crankshaft (Italian Taper, Without Gear) (Used After Code Date 99080200). Used on Type No(s). 0616. Crankshaft (SAE Taper) (Crankshaft, Camshaft, Timing Gear, And Timing Key Must Be Replaced As A Set) (Used Before Code Date 99080300). Used on Type No(s). 0041, 0042, 0051, 0054, 0070, 0074, 0075, 0077, 0080, 0081, 0082, 0088, 0090, 0103, 0107, 0110, 0112, 0121, 0122, 0242, 0251, 0254, 0255, 0270, 0271, 0274, 0275, 0280, 0290, 0293, 0295, 0298, 0546, 0547, 0552, 0560, 0567, 0570, 0606, 0609, 0613, 0614, 0615, 0618, 0621, 0623, 0624, 0626, 0627, 0628.	----- Note ----- 716015 Crankshaft (JIS Taper) (Crankshaft, Camshaft, Timing Gear, And Timing Key Must Be Replaced As A Set) (Used Before Code Date 99080300). Used on Type No(s). 0258. 716012 Crankshaft (Italian Taper) (Crankshaft, Camshaft, Timing Gear, And Timing Key Must Be Replaced As A Set) (Used Before Code Date 99080300). Used on Type No(s). 0616.		
						16G	715103	Crankshaft (2:1 Gear Reduction, With Gear) Used on Type No(s). 0072, 0127, 0131, 0142, 0156, 0164, 0272, 0549, 0566, 0592, 0620.
						24	710037	Key-Flywheel
						101	710219	Pin-Shaft
						146	711336	Key-Timing (Used After Code Date 99080200).
						146A	710037	Key-Timing (Used Before Code Date 99080300).
						741	715643	Gear-Timing (Spur Gear)

★ Included in Engine Gasket Set-Ref. No. 358.
 △ Included in Valve Gasket Set-Ref. No. 1095.

◆ Included in Carburetor Gasket Set-Ref. No. 977.
 ● Included in Carburetor Overhaul Kit-Ref. No. 121.



REF. NO.	PART NO.	DESCRIPTION	REF. NO.	PART NO.	DESCRIPTION	REF. NO.	PART NO.	DESCRIPTION
51◆△★	710235	Gasket-Intake	98	715074	Kit-Idle Speed	117	710877	Jet-Main
51A◆△★	710237	Gasket-Intake	104	231652	Pin-Float Hinge	----- Note -----		
94	715293	Kit-Idle Mixture	105	715155	Valve-Float Needle	◆711607 Jet-Main		
95	710859	Screw Throttle Valve) (Used After Code Date 94123100).	108	710860	Valve-Choke (Used After Code Date 94123100).	Used on Type No(s). 0046, 0051, 0052, 0053, 0054, 0122, 0127, 0141, 0142, 0164, 0246, 0251, 0254, 0255, 0295, 0542, 0552, 0553, 0560, 0562, 0563, 0565, 0609, 0615, 0616, 0617, 0623, 0624.		
		----- Note -----			----- Note -----			
		94466 Screw (Throttle Valve) (Used Before Code Date 95010100).			710322 Valve-CIhoke (Used Before Code Date 95010100).			
97	715154	Shaft-Throttle	109	715157	Shaft-Choke			
		----- Note -----			----- Note -----			
		715637 Shaft-Throttle Used on Type No(s). 0242, 0293, 0298.			716197 Shaft-CIhoke Used on Type No(s). 0301.			
		716196 Shaft-Throttle Used on Type No(s). 0301, 0302.				118	710512	Jet-Main (High Altitude)
						122	715120	Spacer-Carburetor

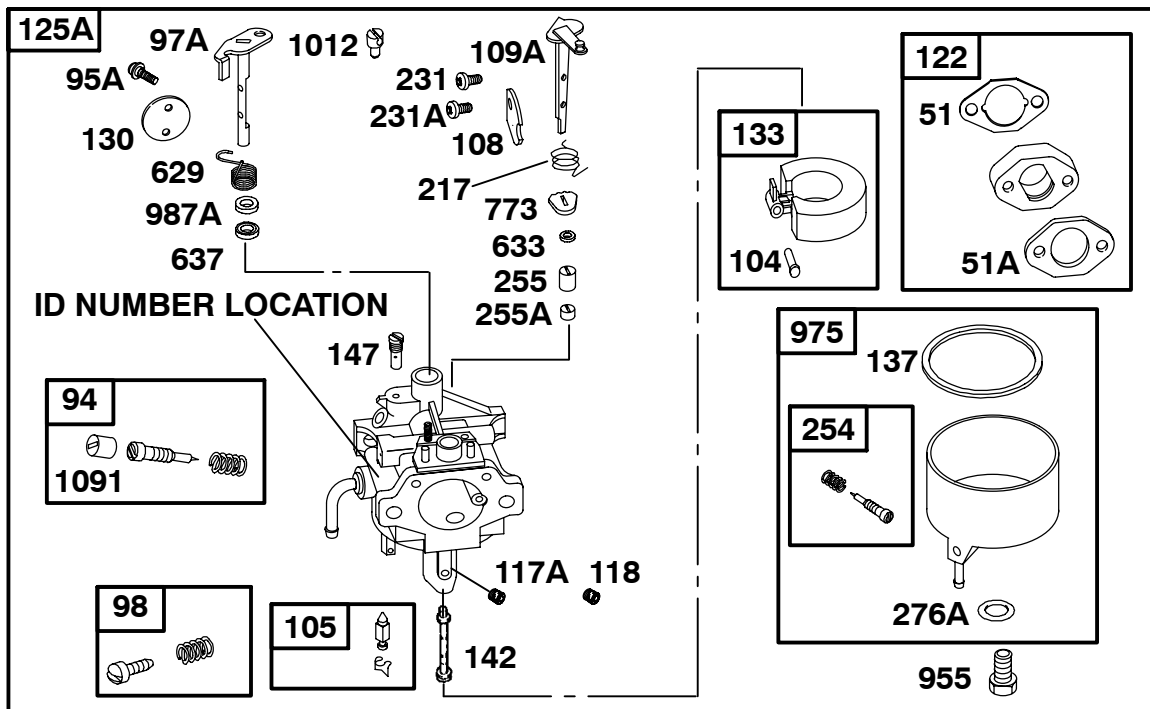
★ Included in Engine Gasket Set-Ref. No. 358.
 △ Included in Valve Gasket Set-Ref. No. 1095.

◆ Included in Carburetor Gasket Set-Ref. No. 977.
 ● Included in Carburetor Overhaul Kit-Ref. No. 121.

REF. NO.	PART NO.	DESCRIPTION	REF. NO.	PART NO.	DESCRIPTION	REF. NO.	PART NO.	DESCRIPTION		
125	715668	Carburetor Used on Type No(s). 0035, 0038, 0039, 0043, 0047, 0059, 0070, 0072, 0074, 0076, 0080, 0084, 0086, 0087, 0088, 0090, 0103, 0106, 0107, 0112, 0130, 0131, 0136, 0137, 0145, 0156, 0235, 0236, 0238, 0247, 0258, 0259, 0270, 0272, 0273, 0274, 0276, 0280, 0284, 0290, 0297, 0512, 0538, 0539, 0543, 0545, 0547, 0548, 0549, 0554, 0566, 0571, 0612, 0618, 0620, 0626, 0631, ----- Note ----- 715669 Carburetor (Used After Code Date 94123100). Used on Type No(s). 0042, 0110, 0567. 715276 Carburetor (Used Before Code Date 95010100). Used on Type No(s). 0042, 0110. 715670 Carburetor Used on Type No(s). 0037, 0041, 0044, 0071, 0075, 0077, 0078, 0081, 0082, 0121, 0271, 0275, 0546, 0559, 0606, 0613, 0614. 715671 Carburetor Used on Type No(s). 0042, 0242, 0293, 0298.			715672 Carburetor Used on Type No(s). 0046, 0051, 0052, 0053, 0054, 0122, 0127, 0141, 0142, 0164, 0246, 0251, 0254, 0255, 0295, 0302, 0542, 0552, 0553, 0560, 0562, 0563, 0565, 0609, 0615, 0616, 0617, 0623, 0624, 0631. 715729 Carburetor (Used Before Code Date 99080300). Used on Type No(s). 0615. 716194 Carburetor Used on Type No(s). 0301.					142 ●710317 Nozzle-Carburetor ----- Note ----- ●711605 Nozzle-Carburetor Used on Type No(s). 0046, 0051, 0052, 0053, 0054, 0122, 0127, 0141, 0142, 0164, 0246, 0251, 0254, 0255, 0295, 0302, 0542, 0552, 0553, 0560, 0562, 0563, 0565, 0609, 0615, 0616, 0617, 0623, 0624, 0631. 712017 Nozzle-Carburetor Used on Type No(s). 0301.
			130	710323	Valve-Throttle ----- Note ----- 711603 Valve-Throttle Used on Type No(s). 0046, 0051, 0052, 0053, 0054, 0122, 0127, 0141, 0142, 0164, 0246, 0251, 0254, 0255, 0295, 0302, 0542, 0552, 0553, 0560, 0562, 0563, 0565, 0609, 0615, 0616, 0617, 0623, 0624, 0631. 712019 Valve-Throttle Used on Type No(s). 0301.				147 ●710321 Jet-Pilot ----- Note ----- 710511 Jet-Pilot (High Altitude)	
								231 710683 Screw (Choke Valve) ----- Note ----- 712030 Screw (Choke Valve) Used on Type No(s). 0301.		
			133	492283	Float-Carburetor			254 492274 Drain-Carburetor Bowl		
			137	◆	Gasket-Float Bowl (Sold in Kit Only)			255 ●710177 Bushing-Choke Shaft (Upper)		
								255A ●710312 Bushing-Choke Shaft (Lower)		
								276A ◆ Washer-Sealing (Sold in Kit Only) ----- Note ----- 711779 Washer-Sealing Used on Type No(s). 0301.		
								633 ◆ Seal-Choke/Throttle Shaft (Sold in Kit Only)		
								637 ◆ Washer (Throttle Shaft) (Sold in Kit Only)		
								773 ●710175 Retainer		
								955 94628 Plug-Carburetor		
								975 715159 Bowl-Float		
								987 ●710185 Seal-Throttle Shaft		
								1091 710485 Cap-Limiter		

★ Included in Engine Gasket Set-Ref. No. 358.
 △ Included in Valve Gasket Set-Ref. No. 1095.

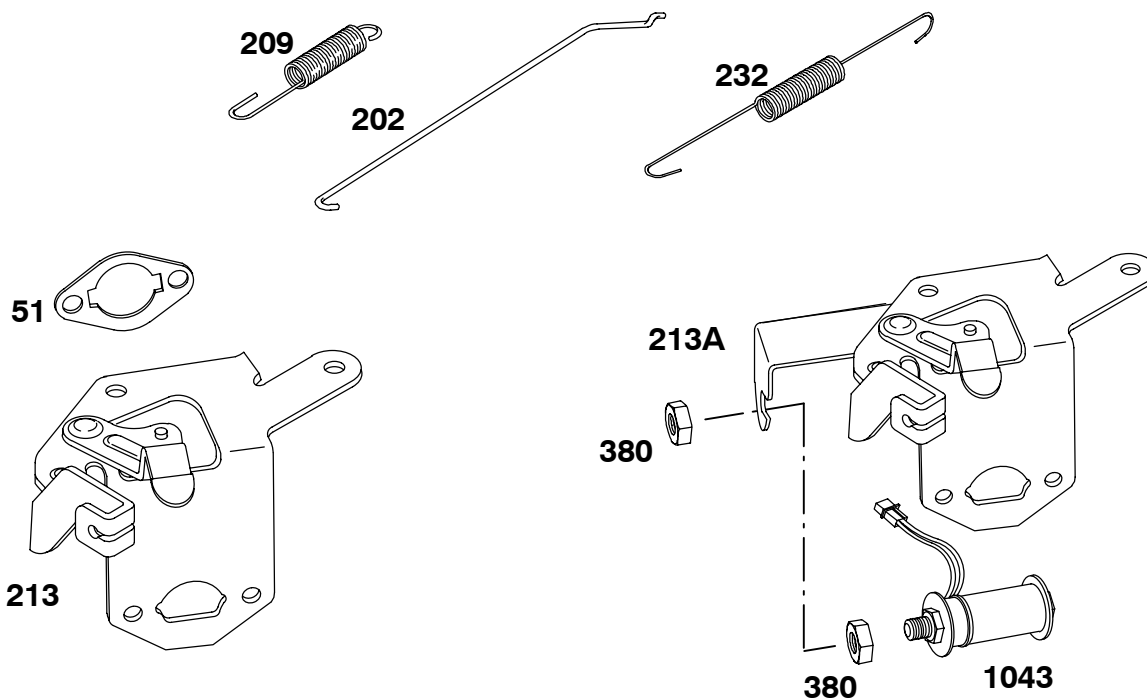
◆ Included in Carburetor Gasket Set-Ref. No. 977.
 ● Included in Carburetor Overhaul Kit-Ref. No. 121.



REF. NO.	PART NO.	DESCRIPTION	REF. NO.	PART NO.	DESCRIPTION	REF. NO.	PART NO.	DESCRIPTION
51	710235	Gasket-Intake	117A	711679	Jet-Main	254	492274	Drain-Carburetor Bowl
51A	710237	Gasket-Intake			Used on Type No(s). 0399.	255	710177	Bushing-Choke Shaft (Upper)
94	715293	Kit-Idle Mixture			----- Note -----	255A	710312	Bushing-Choke Shaft (Lower)
95A	710859	Screw (Throttle Valve)			•710316 Jet-Main	276A	◆	Washer-Sealing (Sold In Kit Only)
		Used on Type No(s). 0399.			Used on Type No(s). 0099.	629	710456	Spring-Throttle Return
		----- Note -----	118	710512	Jet-Main (High Altitude)	633	◆	Seal-Choke/Throttle Shaft (Sold in Kit Only)
		710856 Screw (Throttle Valve)				637	◆	Washer (Throttle Shaft) (Sold in Kit Only)
97A	710458	Shaft-Throttle	122	715120	Spacer-Carburetor	773	710175	Retainer
98	715074	Kit-Idle Speed	125A	715572	Carburetor	955	94628	Plug-Carburetor
104	710310	Pin-Float Hinge			Used on Type No(s). 0099, 0399.	975	715159	Bowl-Float
105	715155	Valve-Float Needle	130	710323	Valve-Throttle	987A	710460	Seal-Throttle Shaft
108	710860	Valve-Choke (Used After Code Date 94123100).	133	492283	Float-Carburetor	1012	280861	Retainer-Link
		----- Note -----	137	◆	Gasket-Float Bowl (Sold In Kit Only)	1091	710485	Cap-Limiter
		710322 Valve-Choke (Used Before Code Date 95010100).	142	710317	Nozzle-Carburetor			
109A	710457	Shaft-Choke	147	710321	Jet-Pilot			
					----- Note -----			
					710511 Jet-Pilot (High Altitude)			
			217	710455	Spring-Choke Return			
			231	710683	Screw (Choke Valve)			
					Used on Type No(s). 0399.			
			231A	710191	Screw (Choke Valve)			
					Used on Type No(s). 0099.			

★ Included in Engine Gasket Set-Ref. No. 358.
 △ Included in Valve Gasket Set-Ref. No. 1095.

◆ Included in Carburetor Gasket Set-Ref. No. 977.
 ● Included in Carburetor Overhaul Kit-Ref. No. 121.

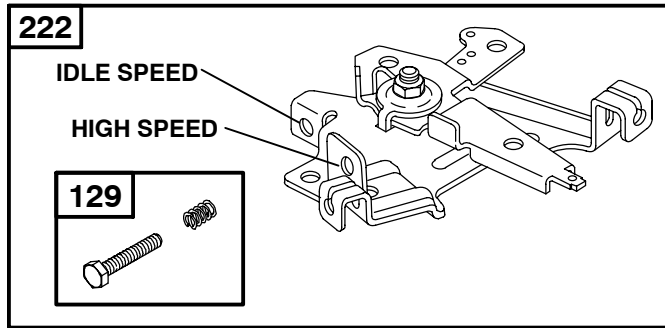



REF. NO.	PART NO.	DESCRIPTION	REF. NO.	PART NO.	DESCRIPTION	REF. NO.	PART NO.	DESCRIPTION
51	710235	Gasket-Intake		710256	Spring-Governor		710284	Spring-Governor
209	710873	Spring-Governor (Used After Code Date 99073100).			(Used Before Code Date 99080100). Used on Type No(s). 0041, 0042, 0070, 0071, 0074, 0075, 0076, 0077, 0156, 0242, 0274, 0275, 0293, 0298.			(Used Before Code Date 99080100). Used on Type No(s). 0051, 0078, 0082, 0090, 0107.
		----- Note -----		710875	Spring-Governor	213	710492	Bracket-Choke Control
		710258 Spring-Governor (Used Before Code Date 99080100).			(Used After Code Date 99073100). Used on Type No(s). 0041, 0042, 0070, 0071, 0074, 0075, 0076, 0077, 0127, 0131, 0142, 0156, 0242, 0270, 0271, 0272, 0274, 0275, 0293, 0298, 0542, 0549, 0563, 0567, 0606, 0613, 0614.	213A	710493	Bracket-Choke Control
		710874 Spring-Governor (Used After Code Date 99073100).			(Used After Code Date 99073100). Used on Type No(s). 0051, 0070, 0078, 0080, 0081, 0082, 0090, 0107, 0121, 0122, 0251, 0254, 0255, 0258, 0280, 0290, 0295, 0546, 0547, 0552, 0609, 0615, 0618, 0621, 0623, 0624, 0626, 0627, 0628.	202	710240	Link-Mechanical Governor
						232	710241	Spring-Governor Link
						380	710068	Nut (Electro Magnet)
						1043	692955	Magnet-Electro

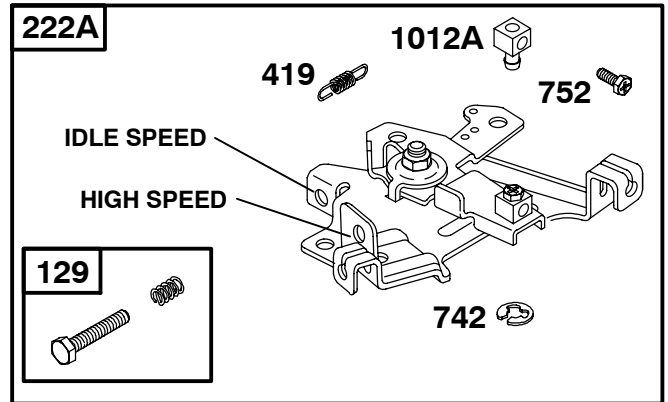
★ Included in Engine Gasket Set-Ref. No. 358.
 Δ Included in Valve Gasket Set-Ref. No. 1095.

◆ Included in Carburetor Gasket Set-Ref. No. 977.
 ● Included in Carburetor Overhaul Kit-Ref. No. 121.

188 



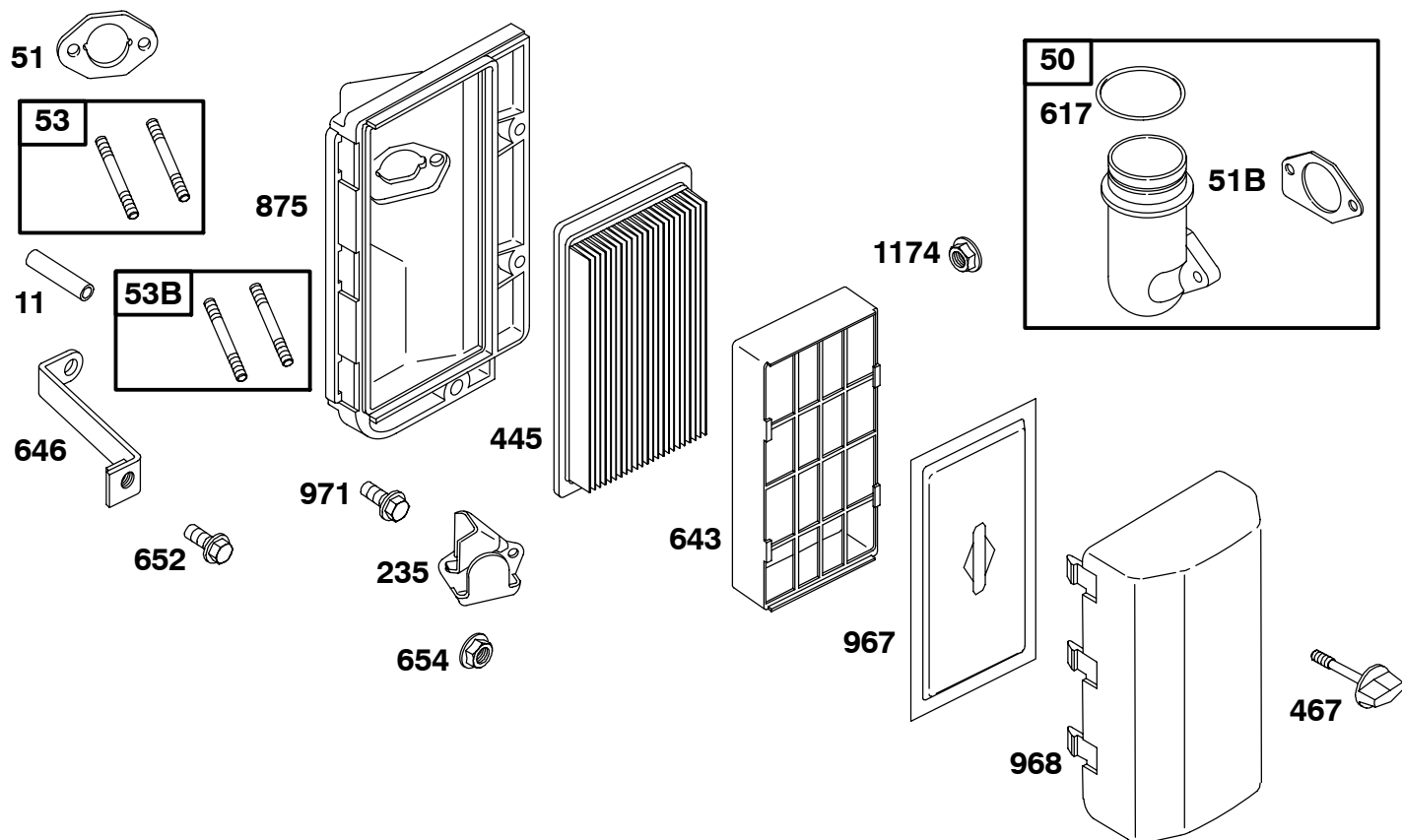
485 



REF. NO.	PART NO.	DESCRIPTION	REF. NO.	PART NO.	DESCRIPTION	REF. NO.	PART NO.	DESCRIPTION
129	715170	Screw/Spring-Governor Speed (Idle & High Speed Adjustments) ----- Note ----- 715024 Screw/Spring-Governor Speed (Idle & High Speed Adjustments) Used on Type No(s). 0035, 0037, 0038, 0039, 0043, 0044, 0046, 0047, 0053, 0059, 0072, 0076, 0084, 0088, 0103, 0106, 0112, 0137, 0145, 0235, 0236, 0238, 0239, 0246, 0247, 0259, 0276, 0284, 0297, 0512, 0543, 0545, 0553, 0554, 0559, 0562, 0565, 0566, 0612, 0616, 0617, 0620.	188	710057	Screw (Control Bracket)	222A	715676	Bracket-Control Used on Type No(s). 0538, 0539, 0548. ----- Note ----- 715296 Bracket-Control Used on Type No(s). 0164, 0301, 0302, 0571.
			222	715046	Bracket-Control ----- Note ----- 715025 Bracket-Control Used on Type No(s). 0035, 0037, 0038, 0039, 0043, 0044, 0046, 0047, 0053, 0059, 0072, 0076, 0084, 0088, 0103, 0106, 0112, 0137, 0145, 0235, 0236, 0238, 0239, 0246, 0247, 0259, 0276, 0284, 0297, 0512, 0543, 0545, 0553, 0554, 0559, 0562, 0565, 0566, 0612, 0616, 0617, 0620. 715747 Bracket-Control Used on Type No(s). 0122, 0560, 0615.	419	710475	Spring-Return
						485	692295	Knob-Control
						742	710477	Retainer-E Ring
						752	710478	Screw (Link Retainer)
						1012A	710855	Retainer-Link

★ Included in Engine Gasket Set-Ref. No. 358.
 △ Included in Valve Gasket Set-Ref. No. 1095.

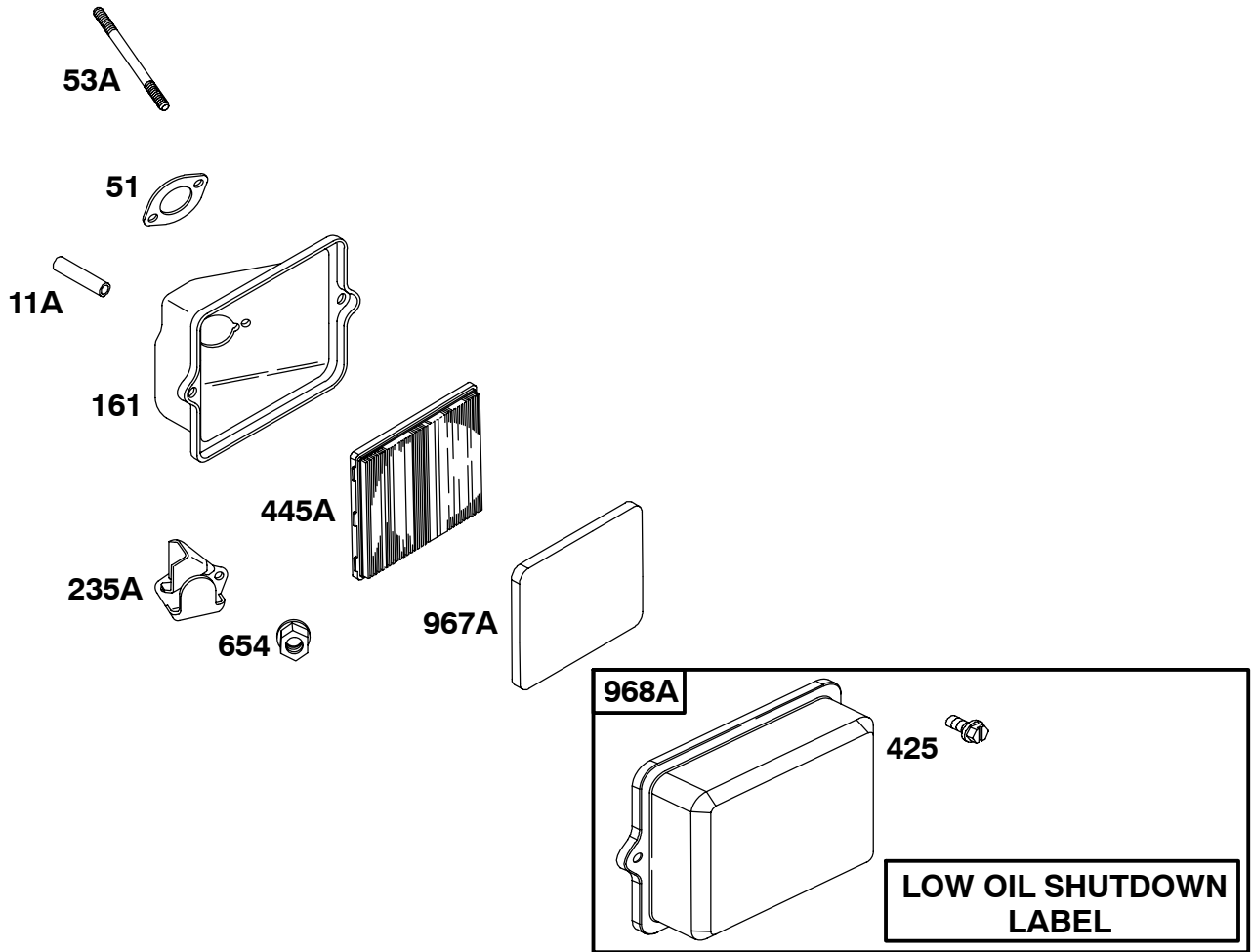
◆ Included in Carburetor Gasket Set-Ref. No. 977.
 ● Included in Carburetor Overhaul Kit-Ref. No. 121.



REF. NO.	PART NO.	DESCRIPTION	REF. NO.	PART NO.	DESCRIPTION	REF. NO.	PART NO.	DESCRIPTION
11	710115	Tube-Breather	235	710229	Shield-Fuel Spray	967	710268	Filter-Pre Cleaner
50	691368	Manifold-Intake Used on Type No(s). 0099, 0399.	445	710266	Filter-Air Cleaner Cartridge	968	710227	Cover-Air Cleaner
51◆△★	710235	Gasket-Intake	467	710113	Knob-Air Cleaner	971	710023	Screw (Air Cleaner Base to Carburetor)
51B	691878	Gasket-Intake	617	690591	Seal-O Ring (Intake Manifold)	1174	710068	Nut (Intake Manifold)
53	710233	Stud (Carburetor)(6MM X 90MM Long)	643	710228	Retainer-Air Filter			
53B	710398	Stud (Carburetor)(6MM X 95MM Long)	646	710232	Brace-Air Cleaner			
			652	710234	Screw (Support Bracket)			
			654	710068	Nut (Carburetor)			
			875	710226	Base-Air Cleaner (Plastic)			

★ Included in Engine Gasket Set-Ref. No. 358.
 △ Included in Valve Gasket Set-Ref. No. 1095.

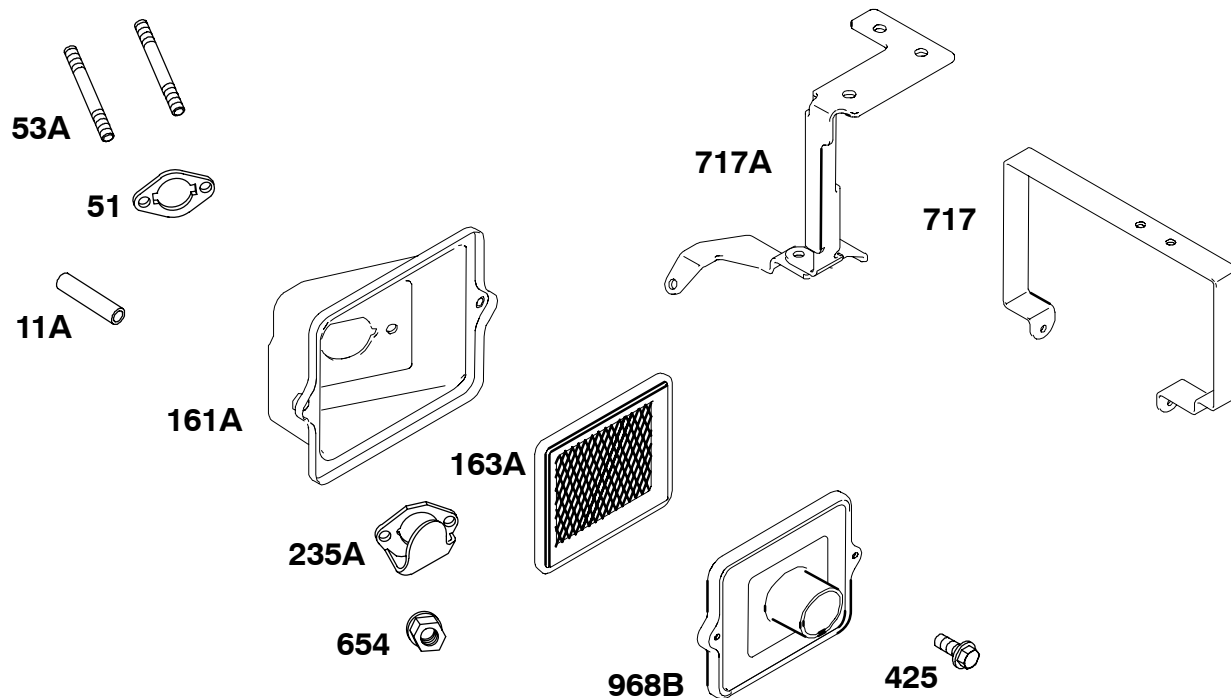
◆ Included in Carburetor Gasket Set-Ref. No. 977.
 ● Included in Carburetor Overhaul Kit-Ref. No. 121.



REF. NO.	PART NO.	DESCRIPTION	REF. NO.	PART NO.	DESCRIPTION	REF. NO.	PART NO.	DESCRIPTION
11A	710555	Tube-Breather	235A	710591	Shield-Fuel Spray	967A	491435S	Filter-Pre Cleaner
51	710235	Gasket-Intake	425	694515	Screw (Air Cleaner Cover)	968A	692321	Cover-Air Cleaner
53A	710592	Stud (Carburetor)(6MM X 85MM Long)	445A	491588	Filter-Air Cleaner Cartridge			
161	710590	Base-Air Cleaner (Metal)	654	710068	Nut (Carburetor)			

★ Included in Engine Gasket Set-Ref. No. 358.
 △ Included in Valve Gasket Set-Ref. No. 1095.

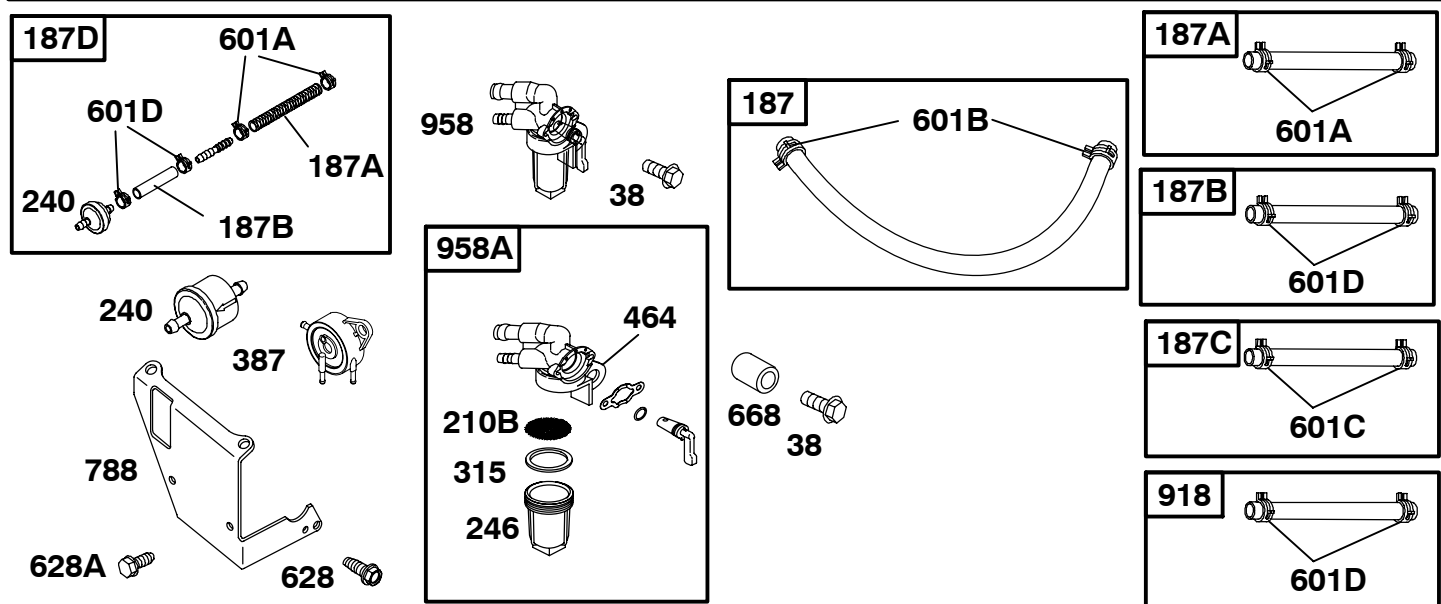
◆ Included in Carburetor Gasket Set-Ref. No. 977.
 ● Included in Carburetor Overhaul Kit-Ref. No. 121.



REF. NO.	PART NO.	DESCRIPTION	REF. NO.	PART NO.	DESCRIPTION	REF. NO.	PART NO.	DESCRIPTION
11A	710115	Tube-Breather	161A	710551	Base-Air Cleaner (Metal)	654	710068	Nut (Carburetor)
51★△◆●	710235	Gasket-Intake	163A	711950	Gasket-Air Cleaner	717	711951	Bracket-Air Cleaner
53A	710592	Stud (Carburetor)(6MM X 85MM Long)	235A	710591	Shield-Fuel Spray	717A	711949	Bracket-Air Cleaner
			425	694515	Screw (Air Cleaner Cover)	968B	711954	Cover-Air Cleaner

★ Included in Engine Gasket Set-Ref. No. 358.
 △ Included in Valve Gasket Set-Ref. No. 1095.

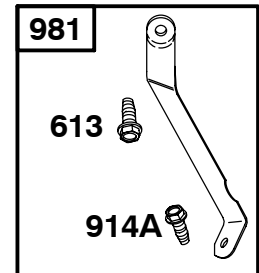
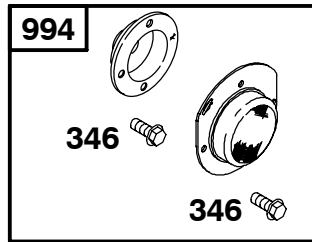
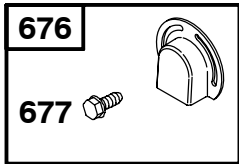
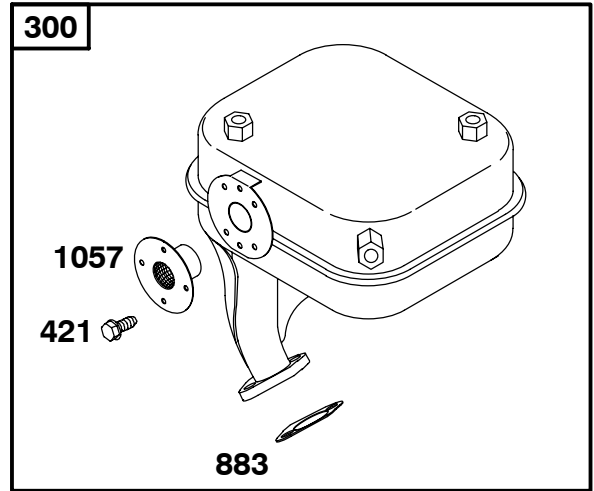
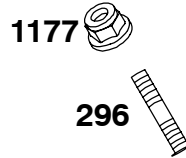
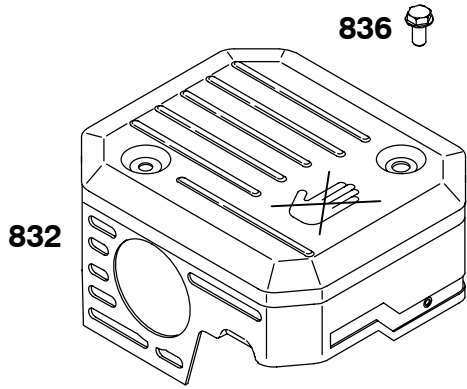
◆ Included in Carburetor Gasket Set-Ref. No. 977.
 ● Included in Carburetor Overhaul Kit-Ref. No. 121.



REF. NO.	PART NO.	DESCRIPTION	REF. NO.	PART NO.	DESCRIPTION	REF. NO.	PART NO.	DESCRIPTION
38	710160	Screw (Shut Off Valve)	246	710070	Bowl-Filter	668	710159	Spacer
187	716126	Line-Fuel (8mm Inside Diameter) (Cut To Required Length)	315	★710072	Seal-O Ring (Filter Bowl)	788	710392	Bracket-Fuel Pump Used on Type No(s). 0052, 0059, 0103, 0259, 0548, 0618.
187A	716122	Line-Fuel (4mm Inside Diameter) (Cut To Required Length)	387	808656	Pump-Fuel	918	791745	Hose-Vacuum (1/4 Inch Inside Diameter) (Cut To Required Length)
187B	791745	Line-Fuel (1/4 Inch Inside Diameter) (Cut To Required Length)	464	★710069	Seal-O Ring (Fuel Shut Off Valve)	958	716111	Valve-Fuel Shut Off (Plastic) (Used After Code Date 04072900)
187C	716123	Line-Fuel (6mm Inside Diameter) (Cut To Required Length)	601A	711549	Clamp-Hose	958A	715027	Valve-Fuel Shut Off (Plastic) (Used Before Code Date 04073000)
187D	715172	Line-Fuel	601B	711998	Clamp-Hose	----- Note ----- 715224 Valve-Fuel Shut Off (Plastic) Used on Type No(s). 0052, 0059, 0103, 0259, 0548, 0615, 0618.		
210B	710071	Strainer-Fuel	601C	711925	Clamp-Hose			
240	298090	Filter-Fuel	601D	95162S	Clamp-Hose			
		----- Note ----- 691035 Filter-Fuel Used on Type No(s). 0099, 0399.	628	710248	Screw (Fuel Pump Bracket)			
			628A	710234	Screw (Fuel Pump Bracket)			

★ Included in Engine Gasket Set-Ref. No. 358.
 Δ Included in Valve Gasket Set-Ref. No. 1095.

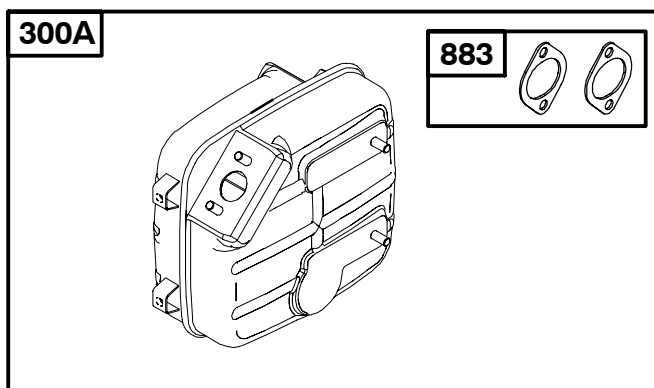
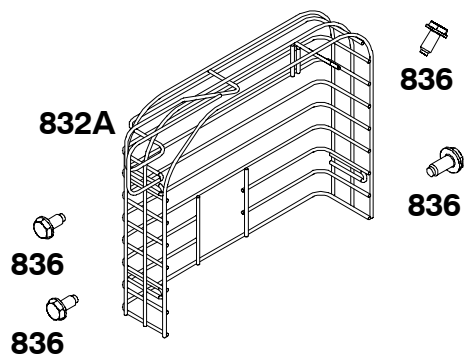
◆ Included in Carburetor Gasket Set-Ref. No. 977.
 ● Included in Carburetor Overhaul Kit-Ref. No. 121.



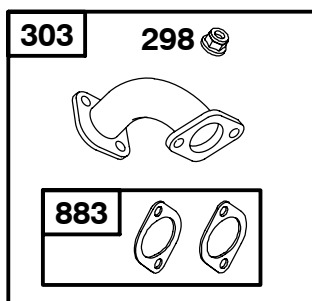
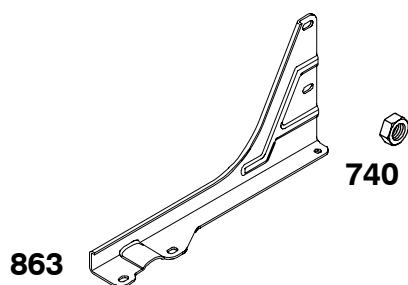
REF. NO.	PART NO.	DESCRIPTION	REF. NO.	PART NO.	DESCRIPTION	REF. NO.	PART NO.	DESCRIPTION
296	710099	Stud (Muffler)	613	710057	Screw (Muffler)	883	Δ*710250	Gasket-Exhaust
300	715523	Muffler (High Mount)	676	715230	Deflector-Muffler	914A	710248	Screw (Rocker Cover)
346	690661	Screw (Spark Arrester)	677	710307	Screw (Muffler Deflector)	981	715495	Brace-Muffler
421	710307	Screw (Outlet Screen)	832	710334	Guard-Muffler (High Mount)	994	715491	Arrester-Spark
			836	710074	Screw (Muffler Guard)	1057	710331	Screen-Outlet
						1177	710081	Nut (Muffler)

★ Included in Engine Gasket Set-Ref. No. 358.
 Δ Included in Valve Gasket Set-Ref. No. 1095.

◆ Included in Carburetor Gasket Set-Ref. No. 977.
 ● Included in Carburetor Overhaul Kit-Ref. No. 121.



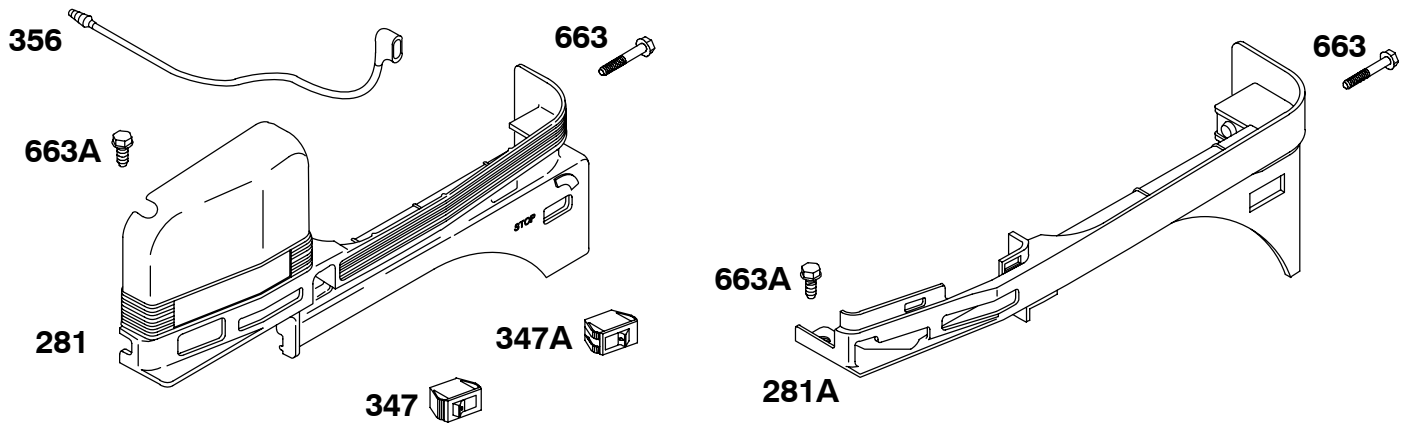
NOTE: This muffler is intended for replacement purposes only and is not to be used for retrofitting to engines with different exhaust systems.



REF. NO.	PART NO.	DESCRIPTION	REF. NO.	PART NO.	DESCRIPTION	REF. NO.	PART NO.	DESCRIPTION
298	710090	Locknut-Muffler/Elbow	740	710090	Nut (Muffler Bracket)	863	711978	Bracket-Muffler
300A	715600	Muffler (Low Mount)	832A	792380	Guard-Muffler (Low Mount)	883	Δ710250	Gasket-Exhaust
303	715601	Elbow-Exhaust	836	710023	Screw (Muffler Guard)			

★ Included in Engine Gasket Set-Ref. No. 358.
 Δ Included in Valve Gasket Set-Ref. No. 1095.

◆ Included in Carburetor Gasket Set-Ref. No. 977.
 ● Included in Carburetor Overhaul Kit-Ref. No. 121.

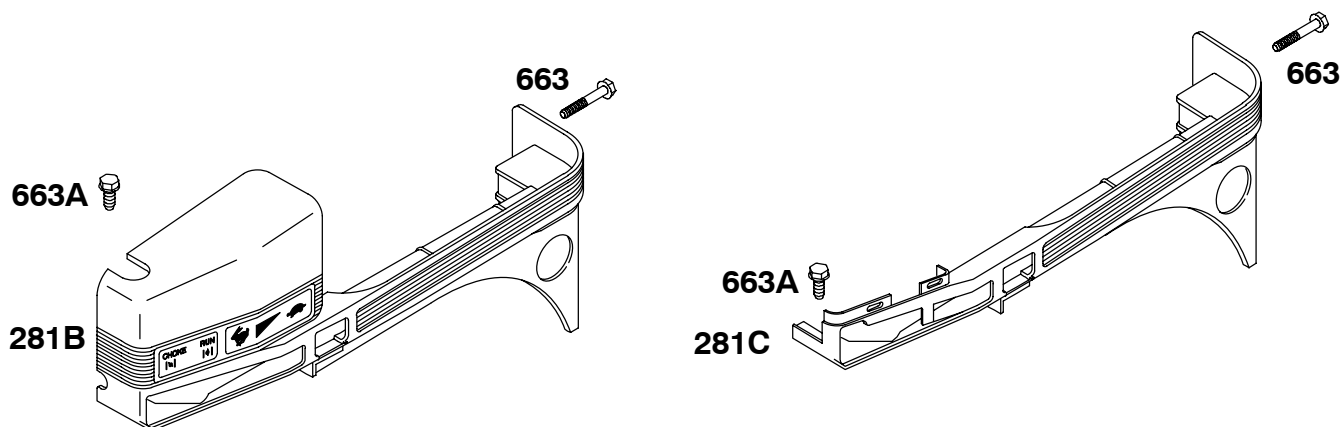


1036 EMISSIONS LABEL

REF. NO.	PART NO.	DESCRIPTION	REF. NO.	PART NO.	DESCRIPTION	REF. NO.	PART NO.	DESCRIPTION
281	711573	Panel-Control Used on Type No(s). 0035, 0046, 0047, 0053, 0070, 0088, 0122, 0127, 0131, 0137, 0142, 0145, 0163, 0235, 0236, 0238, 0239, 0246, 0247, 0258, 0270, 0272, 0290, 0295, 0297, 0302, 0538, 0542, 0545, 0548, 0552, 0553, 0559, 0565, 0566, 0570, 0571, 0612, 0616, 0617, 0618. ----- Note ----- 711575 Panel-Control Used on Type No(s). 0271, 0613, 0614.	281A	711578	Panel-Control (Used After Code Date 03063000). Used on Type No(s). 0037, 0042, 0121, 0242, 0547, 0567, 0606, 0609. ----- Note ----- 711572 Panel-Control (Used Before Code Date 03070100). Used on Type No(s). 0037, 0042, 0121, 0242, 0547, 0567, 0606, 0609.	356	710120	Wire-Stop
						663	710095	Screw (Control Panel)
						663A	710234	Screw (Control Panel)
						1036		Label-Emissions (Available from an Authorized Briggs & Stratton Service Dealer)
			347	691995	Switch-Rocker (Without Light)			
			347A	495098S	Switch-Rocker (With Light)			

★ Included in Engine Gasket Set-Ref. No. 358.
 △ Included in Valve Gasket Set-Ref. No. 1095.

◆ Included in Carburetor Gasket Set-Ref. No. 977.
 ● Included in Carburetor Overhaul Kit-Ref. No. 121.

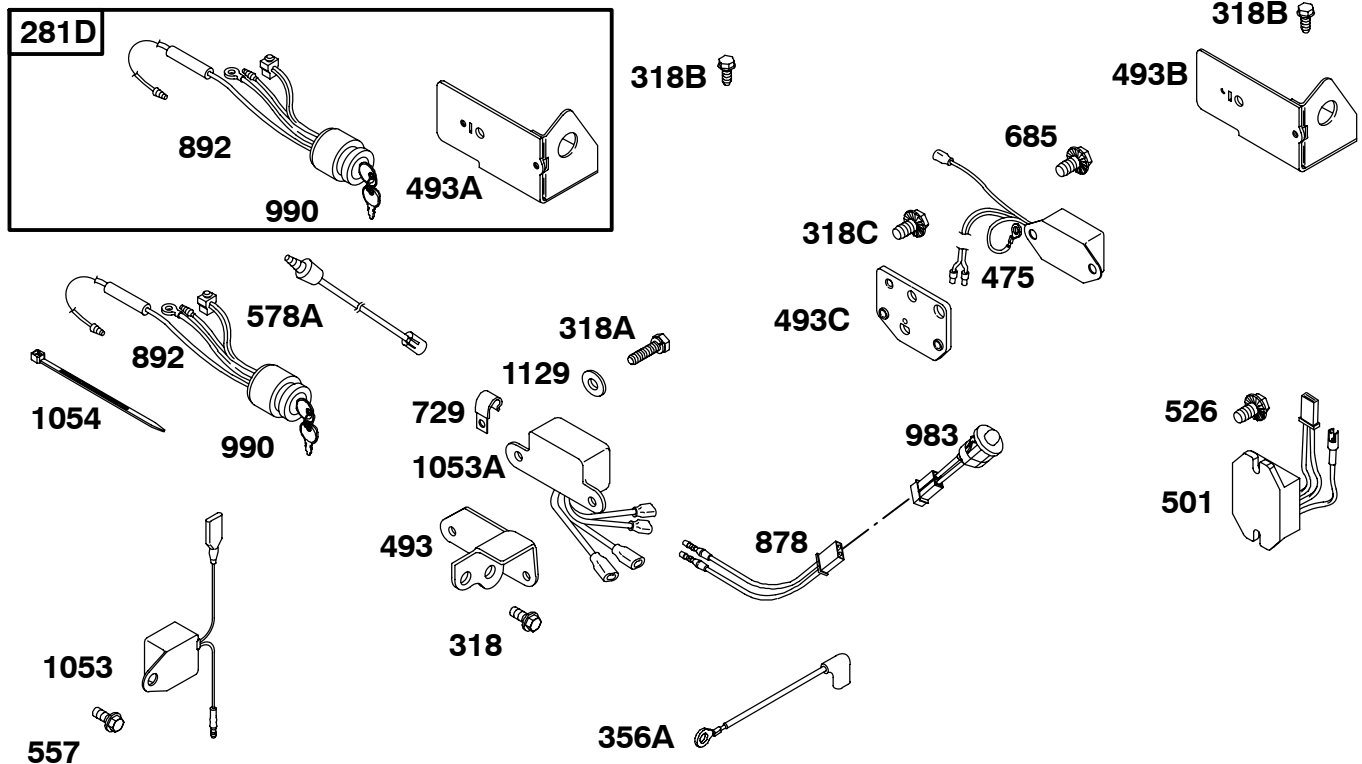


REF. NO.	PART NO.	DESCRIPTION	REF. NO.	PART NO.	DESCRIPTION	REF. NO.	PART NO.	DESCRIPTION
281B	711574	Panel-Control (Used After Code Date 03063000). Used on Type No(s). 0039, 0044, 0074, 0075, 0076, 0080, 0081, 0084, 0164, 0254, 0259, 0274, 0275, 0276, 0280, 0284, 0295, 0298, 0303, 0539, 0543, 0554, 0562, 0620.			----- Note ----- 711569 Panel-Control (Used Before Code Date 03070100). Used on Type No(s). 0039, 0044, 0074, 0075, 0076, 0080, 0081, 0084, 0254, 0259, 0274, 0275, 0276, 0280, 0284, 0295, 0298, 0512, 0539, 0543, 0554, 0562, 0620.	281C	711577	Panel-Control Used on Type No(s). 0077, 0255, 0623, 0628.
						663	710095	Screw (Control Panel)
						663A	710234	Screw (Control Panel)

★ Included in Engine Gasket Set-Ref. No. 358.
 Δ Included in Valve Gasket Set-Ref. No. 1095.

◆ Included in Carburetor Gasket Set-Ref. No. 977.
 ● Included in Carburetor Overhaul Kit-Ref. No. 121.

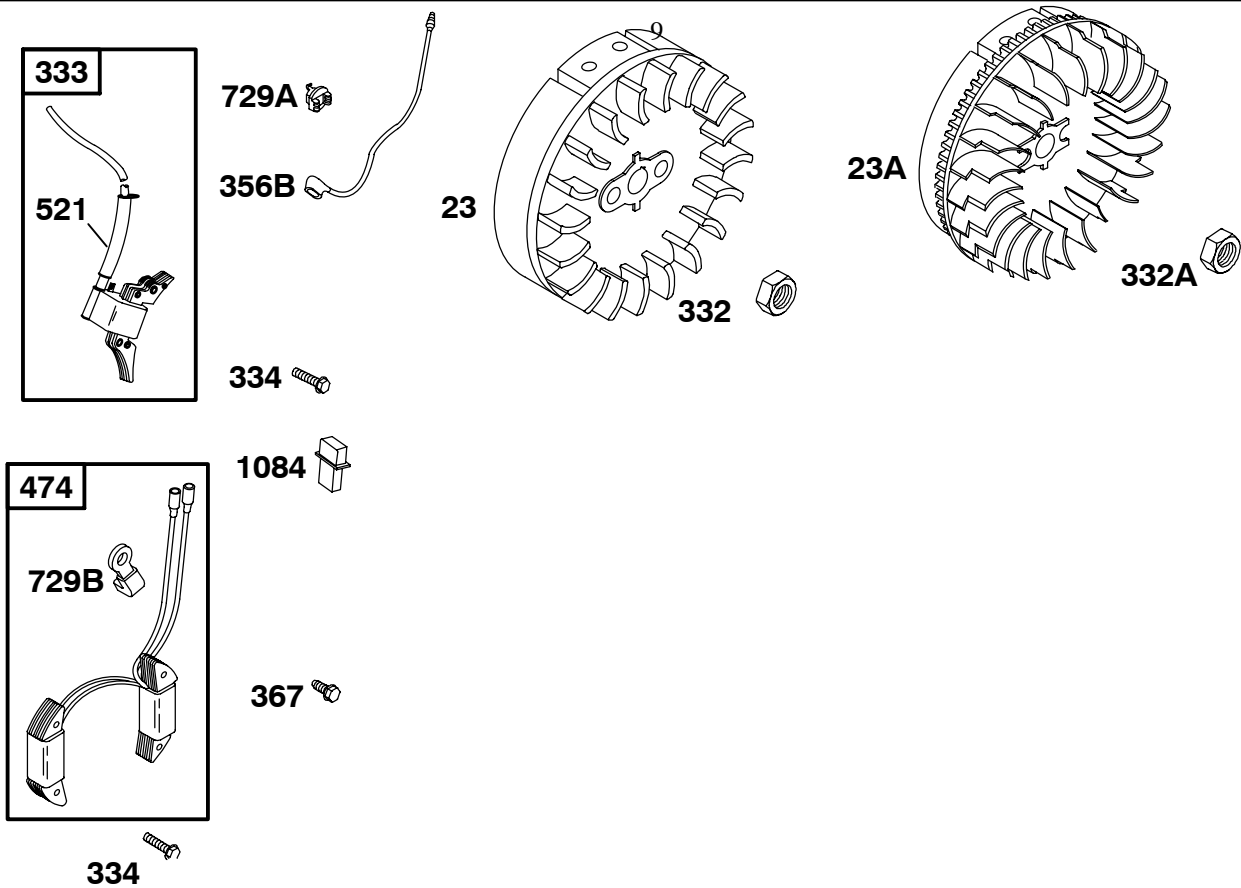
185400



REF. NO.	PART NO.	DESCRIPTION	REF. NO.	PART NO.	DESCRIPTION	REF. NO.	PART NO.	DESCRIPTION
281D	715223	Panel-Control Used on Type No(s). 0039, 0059, 0084, 0086, 0259, 0284, 0554, 0562, 0620.	493B	710363	Bracket-Mounting	729	710407	Clip-Wire
318	710023	Screw (Mounting Bracket)	493C	710593	Bracket-Mounting Used on Type No(s). 0136, 0806.	892	715199	Switch-Key ----- Note ----- 710716 Switch-Key Used on Type No(s). 0059, 0084.
318A	710781	Screw (Mounting Bracket)	501	691185	Regulator Used on Type No(s). 0039, 0059, 0084, 0086, 0113, 0130, 0145, 0259, 0284, 0513, 0545, 0554, 0562, 0620.	878	710417	Harness-Wiring
318B	710074	Screw (Mounting Bracket)	526	710057	Screw (Regulator)	983	692362	Light-Indicator Used on Type No(s). 0099, 0399.
318C	710234	Screw (Mounting Bracket)	578A	715202	Wire Assembly	990	715203	Key Set
356A	710087	Wire-Stop	685	710089	Screw (Rectifier)	1053	710305	Module-Oil Gard®
475	715200	Rectifier	557	710781	Screw (Oil Gard® Module)	1053A	710408	Module-Oil Gard® Used on Type No(s). 0099, 0399.
493	710085	Bracket-Mounting Used on Type No(s). 0099, 0399.	729	710407	Clip-Wire	1054	710349	Tie-Cable
493A	710717	Bracket-Mounting	878	710089	Screw (Rectifier)	1129	710978	Washer (Oil Gard® Module)

★ Included in Engine Gasket Set-Ref. No. 358.
 △ Included in Valve Gasket Set-Ref. No. 1095.

◆ Included in Carburetor Gasket Set-Ref. No. 977.
 ● Included in Carburetor Overhaul Kit-Ref. No. 121.



REF. NO.	PART NO.	DESCRIPTION	REF. NO.	PART NO.	DESCRIPTION	REF. NO.	PART NO.	DESCRIPTION
23	710224	Flywheel Used on Type No(s). 0035, 0037, 0038, 0042, 0046, 0047, 0053, 0070, 0088, 0099, 0121, 0122, 0137, 0235, 0236, 0238, 0239, 0242, 0246, 0247, 0251, 0258, 0270, 0271, 0275, 0290, 0293, 0297, 0301, 0302, 0399, 0538, 0546, 0547, 0548, 0552, 0553, 0559, 0560, 0565, 0567, 0570, 0571, 0606, 0609, 0612, 0613, 0614, 0615, 0616, 0617, 0618, 0621, 0624, 0627.			----- Note ----- 710225 Flywheel Used on Type No(s). 0072, 0127, 0131, 0142, 0242, 0272, 0542, 0563, 0566.			716231 Flywheel Used on Type No(s). 0164.
			23A	715748	Flywheel Used on Type No(s). 0044, 0074, 0075, 0076, 0077, 0081, 0254, 0255, 0274, 0275, 0276, 0280, 0295, 0298, 0512, 0539, 0543, 0623, 0626, 0628. ----- Note ----- 715207 Flywheel Used on Type No(s). 0059. 715749 Flywheel Used on Type No(s). 0039, 0084, 0130, 0259, 0284, 0513, 0554, 0562.	332	710048	Nut (Flywheel)
						332A	710345	Nut (Flywheel)
						333	715118	Armature-Magneto ----- Note ----- 715192 Armature- Magneto Used on Type No(s). 0039, 0044, 0074, 0075, 0076, 0077, 0081, 0084, 0130, 0145, 0164, 0254, 0255, 0259, 0274, 0275, 0276, 0280, 0284, 0295, 0298, 0513, 0539, 0543, 0545, 0554, 0562, 0620, 0623, 0626, 0628.
						334	710047	Screw (Magneto Armature)

★ Included in Engine Gasket Set-Ref. No. 358.
 △ Included in Valve Gasket Set-Ref. No. 1095.

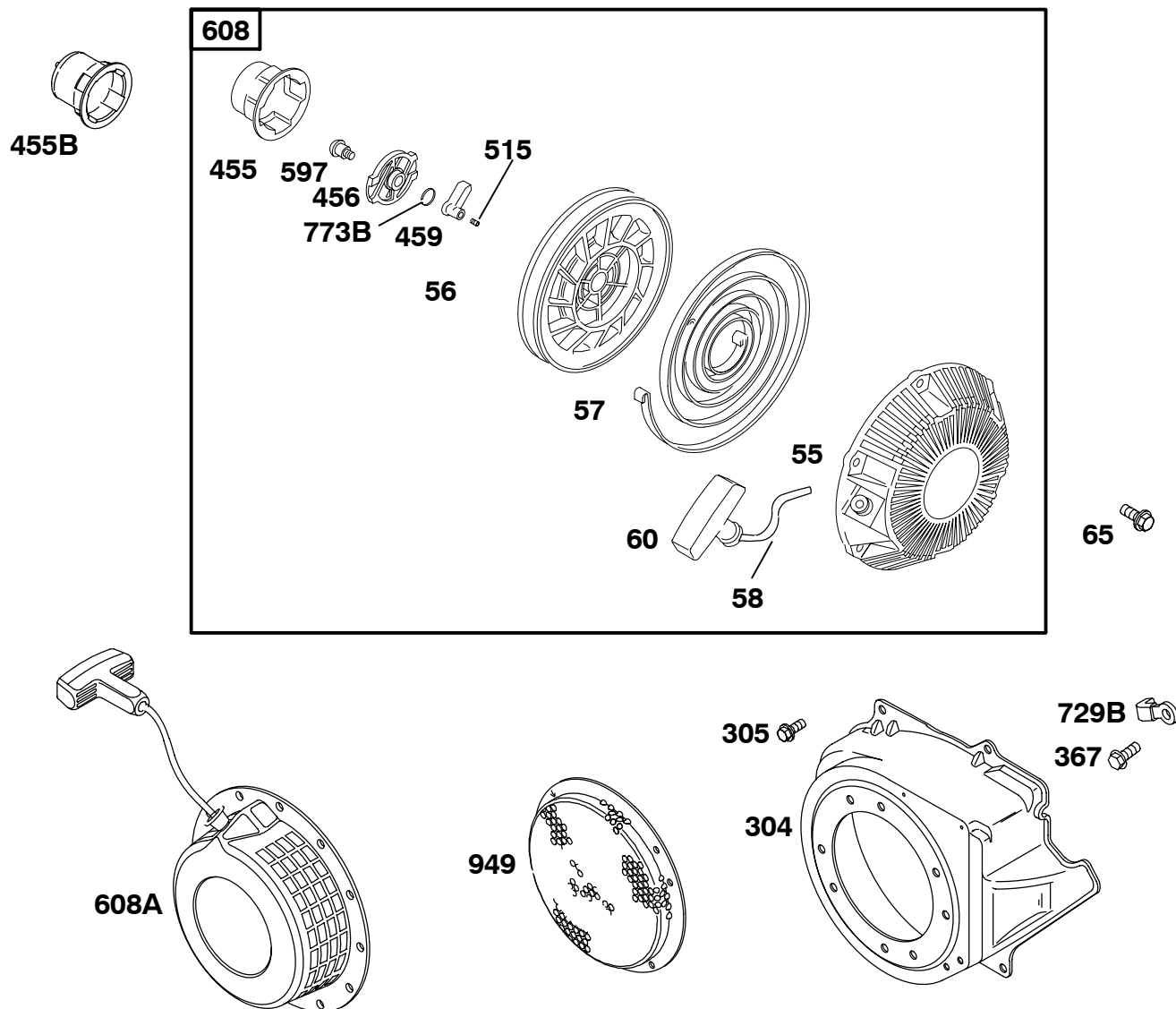
◆ Included in Carburetor Gasket Set-Ref. No. 977.
 ● Included in Carburetor Overhaul Kit-Ref. No. 121.

185400

REF. NO.	PART NO.	DESCRIPTION	REF. NO.	PART NO.	DESCRIPTION	REF. NO.	PART NO.	DESCRIPTION
356B	710324	Wire-Stop ----- Note ----- 710097 Wire-Stop Used on Type No(s). 0099, 0399.			----- Note ----- 715194 Alternator Used on Type No(s). 0039, 0084, 0086, 0113, 0130, 0145, 0259, 0284, 0303, 0513, 0545, 0554, 0562, 0620.	521	710045	Shield-Cable
367	710023	Screw (Wire Clip)				729A	710046	Clip-Wire
474	715255	Alternator Used on Type No(s). 0044, 0074, 0075, 0076, 0077, 0080, 0081, 0164, 0242, 0254, 0255, 0274, 0275, 0276, 0280, 0295, 0298, 0512, 0539, 0543, 0623, 0626, 0628.				729B	710083	Clip-Wire
						1084	710386	Connector-Terminal

★ Included in Engine Gasket Set-Ref. No. 358.
 Δ Included in Valve Gasket Set-Ref. No. 1095.

◆ Included in Carburetor Gasket Set-Ref. No. 977.
 ● Included in Carburetor Overhaul Kit-Ref. No. 121.



REF. NO.	PART NO.	DESCRIPTION	REF. NO.	PART NO.	DESCRIPTION	REF. NO.	PART NO.	DESCRIPTION	
55	691568	Housing-Rewind Starter			----- Note ----- 710231 Housing-Blower Used on Type No(s). 0072, 0076, 0127, 0131, 0142, 0156, 0272, 0542, 0549, 0563, 0566.	455	710366	Cup-Flywheel	
56	692085	Pulley-Starter				455B	710277	Cup-Flywheel Used on Type No(s). 0099, 0399.	
57	692086	Spring-Rewind Starter				456	691529	Plate-Pawl Friction	
58	66574	Rope-Starter (Cut to Required Length)				459	808166	Pawl-Ratchet	
59	805957	Insert-Grip				515	691528	Spring-Pawl	
60	808167	Grip-Starter Rope	305	710023		Screw (Blower Housing)			
65	710074	Screw (Rewind Starter)	367	710023		Screw (Wire Clip)			
304	710364	Housing-Blower							

★ Included in Engine Gasket Set-Ref. No. 358.
 Δ Included in Valve Gasket Set-Ref. No. 1095.

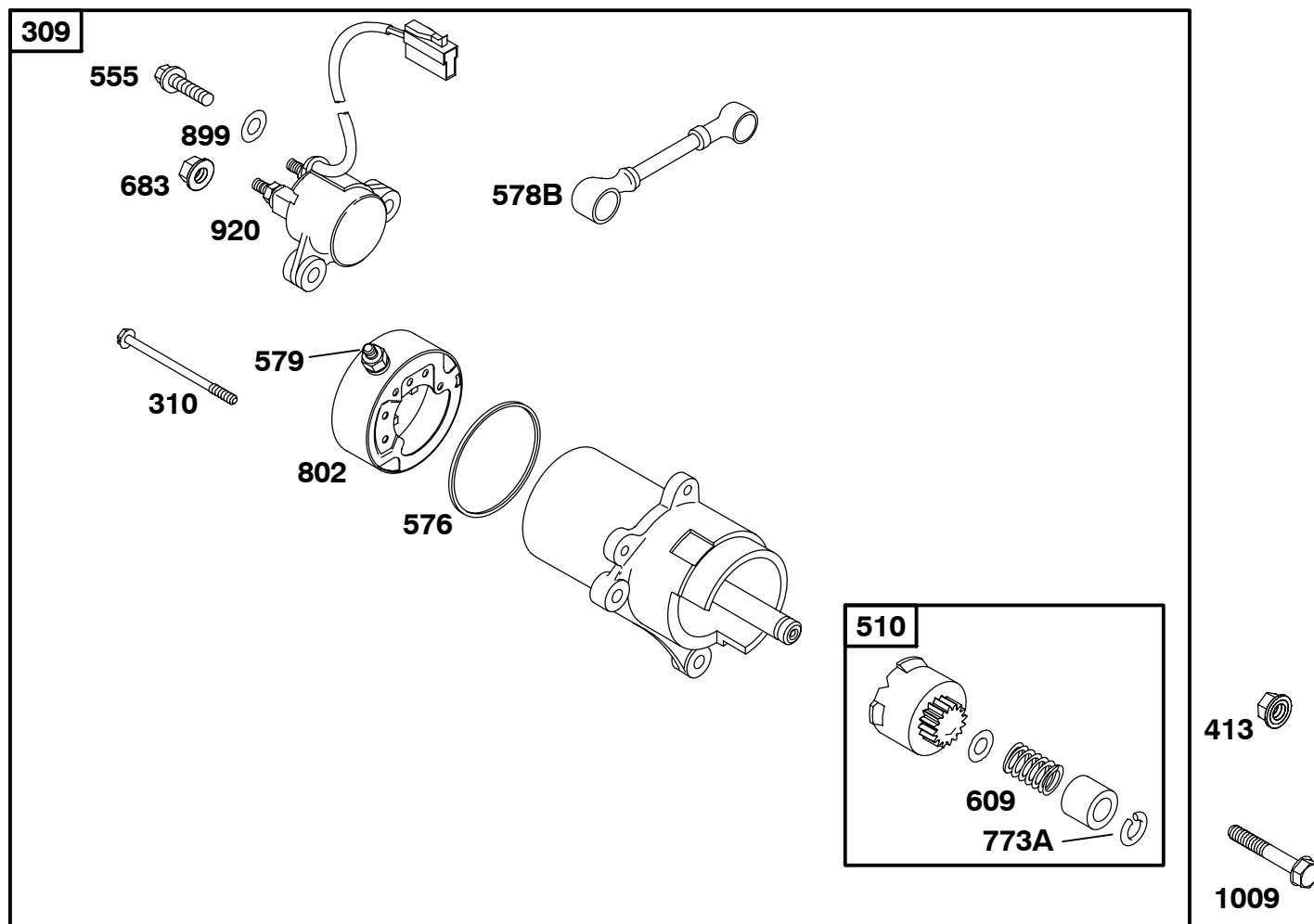
◆ Included in Carburetor Gasket Set-Ref. No. 977.
 ● Included in Carburetor Overhaul Kit-Ref. No. 121.

185400

REF. NO.	PART NO.	DESCRIPTION	REF. NO.	PART NO.	DESCRIPTION	REF. NO.	PART NO.	DESCRIPTION
597	690876	Screw (Pawl Friction Plate) Used on Type No(s). 0242, 0044, 0074, 0075, 0076, 0077, 0080, 0081, 0254, 0255, 0274, 0275, 0276, 0280, 0295, 0298, 0512, 0539, 0543, 0623, 0626, 0628.	608	715204	Starter-Rewind With Flywheel Cup, Ref. No. 455) ----- Note ----- 692102 Starter- Rewind Without Flywheel Cup, Ref. No. 455)	608A	715131	Starter-Rewind Used on Type No(s). 0072, 0127, 0131, 0142, 0156, 0164, 0272, 0549, 0563.
						729B	710083	Clip-Wire
						949	690475	Guard-Debris Screen Used on Type No(s). 0099, 0130, 0399.

★ Included in Engine Gasket Set-Ref. No. 358.
 △ Included in Valve Gasket Set-Ref. No. 1095.

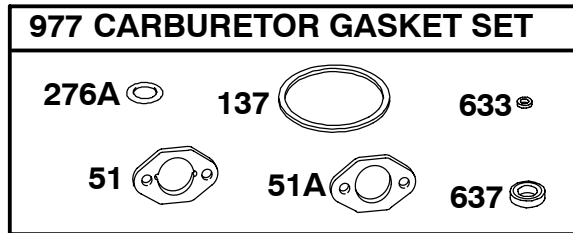
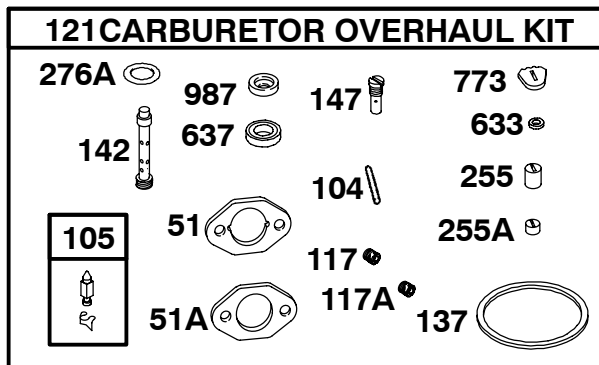
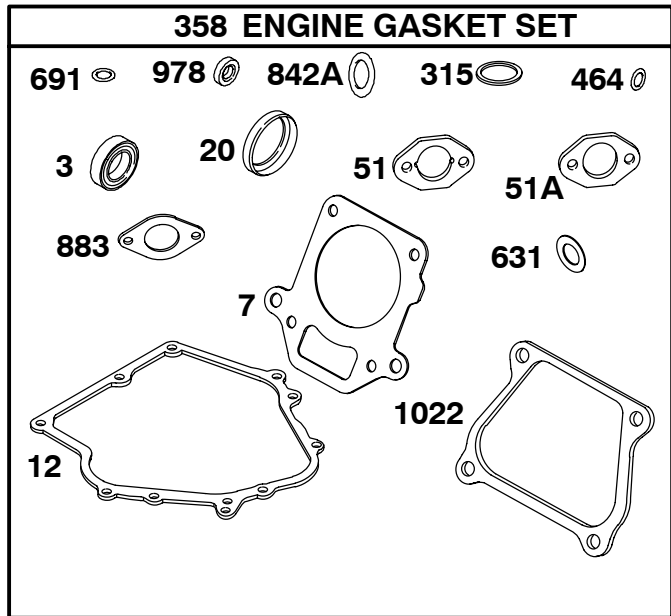
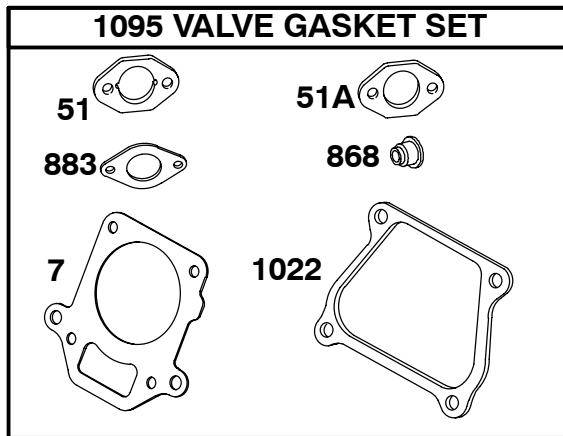
◆ Included in Carburetor Gasket Set-Ref. No. 977.
 ● Included in Carburetor Overhaul Kit-Ref. No. 121.



REF. NO.	PART NO.	DESCRIPTION	REF. NO.	PART NO.	DESCRIPTION	REF. NO.	PART NO.	DESCRIPTION
309	715808	Motor-Starter -----Note----- 715734 Motor-Starter Used on Type No(s). 0164.	578B	715198	Wire Assembly	920	715197	Solenoid-Starter
310	710354	Bolt (Starter Motor)	579	710362	Nut (Starter Cable)	1009	710348	Screw (Starter Motor)
413	710081	Nut (Starter Motor)	609	710357	Spring-Starter Drive			
510	715196	Drive-Starter	683	710362	Nut (Starter Solenoid)			
555	710360	Screw (Starter Solenoid)	773A	710359	Retainer			
576	710610	Seal-O Ring (Starter Sub Assembly)	802	715195	Cap-End (Includes Brush Set)			
			899	710361	Washer (Starter Solenoid)			

★ Included in Engine Gasket Set-Ref. No. 358.
 △ Included in Valve Gasket Set-Ref. No. 1095.

◆ Included in Carburetor Gasket Set-Ref. No. 977.
 ● Included in Carburetor Overhaul Kit-Ref. No. 121.



REF. NO.	PART NO.	DESCRIPTION	REF. NO.	PART NO.	DESCRIPTION	REF. NO.	PART NO.	DESCRIPTION
3	★710000	Seal-Oil (Magneto Side)	117	●710877	Jet-Main ----- Note -----	117A	●711679	Jet-Main Used on Type No(s). 0399.
7	△★710205	Gasket-Cylinder Head			●711607 Jet-Main Used on Type No(s).			----- Note ----- ●710316 Jet-Main Used on Type No(s). 0099.
12	★710216	Gasket-Crankcase ----- Note ----- ★710141 Gasket-Crankcase Used on Type No(s). 0280, 0543.			0046, 0051, 0052, 0053, 0054, 0122, 0127, 0141, 0142, 0246, 0251, 0254, 0255, 0295, 0542, 0552, 0553, 0560, 0562, 0563, 0565, 0609, 0615, 0616, 0617, 0623, 0624.	121	715156	Kit-Carburetor Overhaul
20	★710215	Seal-Oil (PTO Side)				137	◆	Gasket-Float Bowl (Sold in Kit Only)
51	◆△★710235	Gasket-Intake				142	●710317	Nozzle-Carburetor ----- Note ----- ●711605 Nozzle-Carburetor Used on Type No(s). 0046, 0051, 0052, 0053, 0054, 0122, 0127, 0141, 0142, 0246, 0251, 0254, 0255, 0295, 0542, 0552, 0553, 0560, 0562, 0563, 0565, 0609, 0615, 0616, 0617, 0623, 0624.
51A	◆△★710237	Gasket-Intake						
104	●231652	Pin-Float Hinge						
105	●715155	Valve-Float Needle						

★ Included in Engine Gasket Set-Ref. No. 358.
△ Included in Valve Gasket Set-Ref. No. 1095.

◆ Included in Carburetor Gasket Set-Ref. No. 977.
● Included in Carburetor Overhaul Kit-Ref. No. 121.

REF. NO.	PART NO.	DESCRIPTION	REF. NO.	PART NO.	DESCRIPTION	REF. NO.	PART NO.	DESCRIPTION
147	●710321	Jet-Pilot	633	●◆	Seal-Choke/Throttle Shaft	883	Δ★710250	Gasket-Exhaust
255	●710177	Bushing-Choke Shaft (Upper)			(Sold in Kit Only)	977	715160	Gasket Set-Carburetor
255A	●710312	Bushing-Choke Shaft (Lower)	637	●◆	Washer (Throttle Shaft)	978	★710091	Gasket-Oil Gard®
276A	●◆	Washer-Sealing (Sold in Kit Only)			(Sold in Kit Only)	987	●710185	Seal-Throttle Shaft
315	★710072	Seal-O Ring (Filter Bowl)	691	★710055	Seal-Governor Shaft	1022	Δ★710206	Gasket-Rocker Cover
358	715124	Gasket Set-Engine	773	●710175	Retainer	1095	716025	Gasket Set-Valve (Used After Code Date 01123100).
464	★710069	Seal-O Ring (Fuel Shut Off Valve)	842A	★710218	Seal-O Ring			----- Note -----
631	★710004	Washer (Oil Drain Plug)	868	Δ711634	Seal-Valve (Used After Code Date 01123100).			715695 Gasket Set-Valve (Used Before Code Date 02010100).
					----- Note -----			
					Δ710863 Seal-Valve (Used Before Code Date 02010100).			

★ Included in Engine Gasket Set-Ref. No. 358.
 Δ Included in Valve Gasket Set-Ref. No. 1095.

◆ Included in Carburetor Gasket Set-Ref. No. 977.
 ● Included in Carburetor Overhaul Kit-Ref. No. 121.